

**OWNER'S MANUAL
MANUEL DU PROPRIÉTAIRE
MANUAL DEL PROPIETARIO**

PORTABLE AIR CONDITIONER Owner's Manual.....	1 - 22
CLIMATISEUR PORTABLE Manuel du propriétaire.....	23 - 46
AIRE ACONDICIONADO PORTÁTIL Manual del propietario.....	47 - 70

MODEL • MODÈLE • MODELO

DPA100B9IWDB-6

Danby Products Limited, Guelph, Ontario, Canada N1H 6Z9

Danby Products Inc. Findlay, Ohio, U.S.A. 45840

www.danby.com



Printed in China | Imprimé en Chine | Impreso en China

2025.02.11

Welcome to the Danby family.

We are proud of our quality products and we believe in dependable service. We suggest that you read this owner's manual before plugging in your new appliance as it contains important operation information, safety information, troubleshooting, and maintenance tips to ensure the reliability and longevity of your appliance.

You are entitled to the warranty coverage as described in the owner's manual provided with your new appliance.

1. Please write down your appliance information below. **You must keep the original proof of purchase receipt to validate and receive warranty services.**
2. Register your product online and receive a **FREE 2 MONTH WARRANTY EXTENSION** after filling out a product survey, at www.danby.com/support/product-registration/

Model Number: _____

Serial Number: _____

Date of Purchase: _____

Need Help?

1. Read your Owner's Manual for installation help, troubleshooting, and maintenance assistance.
2. Visit www.Danby.com to access self-service tools, FAQs and much more by searching your model number in the search bar.
3. For the **Quickest Customer Service**, please fill out the web form at www.danby.com/support. Your submission will go directly to an expert on your particular appliance. Our average response times are between 20 minutes and 2 hours, during EST business hours.
4. Call **1-800-263-2629** - please note that during peak hours, hold times can exceed one hour.



Important Safety Information
READ AND FOLLOW ALL SAFETY INSTRUCTIONS



Important Note: Read this manual carefully before installing or operating this appliance. Make sure to save the manual for future reference.

	CAUTION	Shows that the operation manual should be read carefully.
	CAUTION	Shows that service personnel should be handling this equipment with reference to the installation manual.
	CAUTION	Shows that the information is available such as the operating manual or the installation manual.



CAUTION: RISK OF FIRE

Flammable refrigerant used. When maintaining or disposing of the air conditioner, the refrigerant must not be allowed to vent into the open air.

SAVE THESE INSTRUCTIONS!



Important Safety Information

READ AND FOLLOW ALL SAFETY INSTRUCTIONS



SAFETY PRECAUTIONS

WARNING

- Installation must be performed according to the installation instructions. Improper installation can cause water leakage, electrical shock or fire.
- Use only the included accessories and parts and specified tools for the installation. Using non-standard parts can cause water leakage, electrical shock, fire and injury or property damage.
- Make sure that the outlet you are using is grounded and has the appropriate voltage. The power cord is equipped with a three-prong grounding plug to protect against shock. Voltage information can be found on the nameplate of the unit.
- Your unit must be used in a properly grounded wall receptacle. If the wall receptacle you intend to use is not adequately grounded or protected by a time delay fuse or circuit breaker (the fuse or circuit breaker needed is determined by the maximum current of the unit. The maximum current is indicated on the nameplate located on the unit), have a qualified electrician install the proper receptacle.
- Install the unit on a flat, sturdy surface. Failure to do so could result in damage or excessive noise and vibration.
- The unit must be kept free from obstruction to ensure proper function and to mitigate safety hazards.
- Do not modify the length of the power cord or use an extension cord to power the unit.
- Do not share a single outlet with other electrical appliances. Improper power supply can cause fire or electrical shock.
- Do not install your air conditioner in a wet room such as a bathroom or laundry room. Too much exposure to water can cause electrical components to short circuit.
- Do not install the unit in a location that may be exposed to combustible fumes as this could cause fire.
- The unit has wheels to facilitate moving. Make sure not to use the wheels on thick carpet or to roll over objects as this could cause tipping.
- Do not operate a unit that has been dropped or damaged.
- The appliance with the electric heater shall have at least 1 meter space from combustible materials.
- Do not touch the unit with wet or damp hands or when barefoot.
- If the air conditioner is knocked over during use, turn off the unit and unplug it from the main power supply immediately. Visually inspect the unit to ensure there is no damage. If you suspect the unit has been damaged contact a technician or customer service for assistance.
- In a thunderstorm, the power must be cut off to avoid damage to the machine due to lightning.
- Your air conditioner should be used in such a way that it is protected from moisture. e.g. condensation, splashed water, etc. Do not place or store your air conditioner where it can fall or be pulled into water or any other liquid. Unplug immediately if this occurs.
- All wiring must be performed strictly in accordance with the wiring diagram location inside the unit.
- The unit's circuit board (PCB) is designed with a fuse to provide over current protection. The specifications of the fuse are printed on the circuit board.
- When the water drainage function is not in use keep the upper and lower drain plugs firmly installed in the unit. The drain plugs can be a choking hazard to children.

SAVE THESE INSTRUCTIONS!



Important Safety Information

READ AND FOLLOW ALL SAFETY INSTRUCTIONS



WARNING

- This appliance is not intended for use by persons (including children) whose physical, sensory or mental capabilities may be different or reduced, or who lack experience or knowledge, unless such persons receive supervision or training to operate the appliance by a person responsible for their safety. Children should be supervised to ensure that they do not play with the appliance. Children must be supervised around the unit at all times.
- If the power supply cord is damaged it must be replaced by the manufacturer, its service agent or similarly qualified persons in order to avoid a hazard.
- Prior to cleaning or other maintenance, the appliance must be disconnected from the power supply.
- Do not remove any fixed covers. Never use this appliance if it is not working properly or if it has been dropped or damaged.
- Do not run cord under carpeting. Do not cover cord with throw rugs, runners or similar coverings. Do not route cord under furniture or appliances. Arrange cords away from traffic and where it will not be tripped over.
- Do not operate a unit with a damaged power cord, plug, power fuse or circuit breaker. Discard the unit or return to an authorized service facility for examination and/or repair.
- To reduce the risk of fire or electric shock do not use this air conditioner with any solid-state speed control device.
- The appliance shall be installed in accordance with national wiring regulations.
- Contact the authorized service technician for repair or maintenance of this unit.
- Contact the authorized service installer for installation of this unit.
- Do not cover or obstruct the inlet or outlet grilles.
- Do not use this product for functions other than those described in this instruction manual.
- Before cleaning turn off the power and unplug the unit.
- Disconnect the power if strange sounds, smells or smoke comes from it.
- Do not press the buttons on the control panel with anything other than your fingers.
- Do not remove any fixed covers. Never use this appliance if it is not working properly or if it has been dropped or damaged.
- Do not operate or stop the unit by inserting or pulling out the power cord plug.
- Do not use hazardous chemicals to clean or come into contact with the unit. Do not use the unit in the presence of inflammable substances or vapor such as alcohol, insecticides, petrol, etc.
- Always transport your air conditioner in a vertical position and stand on a stable, level surface during use.
- Always contact a qualified person to carry out repairs. If the damaged power supply cord must be replaced with a new power supply cord obtained from the product manufacturer and not repaired.
- Hold the plug by the head of the power plug when removing it.
- Turn off the appliance when not in use.

SAVE THESE INSTRUCTIONS!



Important Safety Information

READ AND FOLLOW ALL SAFETY INSTRUCTIONS



WARNING for using R32 refrigerant

- Do not use means to accelerate the defrosting process or to clean other than those recommended by the manufacturer.
- The appliance shall be stored in a room without continuously operating ignition sources for example, open flames, an operating gas appliance or an operating electric heater.
- Do not pierce or burn.
- Be aware that the refrigerants may not contain an odor.
- The appliance should be installed, operated and stored in a room with a floor area according to the amount of refrigerant to be charged. For specific information on the type of gas and the amount, please refer to the relevant label on the unit itself. When there are differences between the label and the manual on the minimum room area description, the description on the label shall prevail.
- Compliance with national gas regulations shall be observed.
- Keep ventilation openings clear of obstruction.
- The appliance shall be stored so as to prevent mechanical damage from occurring.
- A warning that the appliance shall be stored in a well-ventilated area where the room size corresponds to the room area as specified for operation.
- Any person who is involved with working on or breaking into a refrigerant circuit should hold a current valid certificate from an industry-accredited assessment authority, which authorities their competence to handle refrigerants safely in accordance with an industry recognized assessment specification. All training shall follow the ANNEX HH requirements of UL 60335-2-40 4th Edition. Examples of such work are: breaking into the refrigerating circuit; opening of sealed components; opening of ventilated enclosures.
- Servicing shall only be performed as recommended by the manufacturer. Maintenance and repair requiring the assistance of other skilled personnel shall be carried out under the supervision of the person competent in the use of flammable refrigerants.
- Please follow the instruction carefully to handle, install, clear and service the air conditioner to avoid any damage or hazard. Flammable refrigerant R32 is used within this air conditioner. When maintaining or disposing of the air conditioner the refrigerant must be recovered properly and should not be allowed to discharge to the air directly.
- No open fire or device like switch which may generate spark/arcing shall be around air conditioner to avoid causing ignition of the flammable refrigerant used.
- Please follow the instruction carefully to store or maintain the air conditioner to prevent mechanical damage from occurring.
- Flammable refrigerant -R32 is used in air conditioner. Please follow the instruction carefully to avoid any hazard. For specific information on the type of gas and the amount, please to the relevant label on the unit itself.
- The appliance shall be stored in a room without continuously operating open flames (for example an operating gas appliance) and ignition sources (for example an operating electric heater).

Transport of equipment containing flammable refrigerants: See transport regulations.

Marking of equipment using signs: See local regulations.

Disposal of equipment using flammable refrigerants: See national regulations.

Storage of equipment / appliances: The storage of equipment should be in accordance with the applicable regulations or instructions, whichever is more stringent.

Storage of packed (unsold) equipment: Storage package protection should be constructed such that the mechanical damage to the equipment inside the package will not cause a leak of the refrigerant charge. The maximum number of pieces of equipment permitted to be stored together will be determined by local regulations.

SAVE THESE INSTRUCTIONS!



Important Safety Information

READ AND FOLLOW ALL SAFETY INSTRUCTIONS



Information on servicing

- 1. Checks to the area:** Prior to beginning work on systems containing flammable refrigerants, safety checks are necessary to ensure that the risk of ignition is minimized. For repair to the refrigerating system, the following precautions shall be complied with prior to conducting work on the system.
- 2. Work procedure:** Work shall be undertaken under a controlled procedure so as to minimize the risk of a flammable gas or vapor being present while the work is being performed.
- 3. General work area:** All maintenance staff and others working in the local area shall be instructed on the nature of work being carried out. Work in confined spaces shall be avoided. The area around the work space shall be sectioned off. Ensure that the conditions within the work area have been made safe by removing all flammable material.
- 4. Checking for the presence of refrigerant:** The area shall be checked with an appropriate refrigerant detector prior to and during work to ensure the technician is aware of potentially flammable atmospheres. Ensure that the leak detection equipment being used is suitable for use with flammable refrigerants, i.e. non-sparking, adequately sealed and intrinsically safe.
- 5. Presence of fire extinguisher:** If any hot work is to be conducted on the refrigeration equipment or any associated parts, appropriate fire extinguishing equipment shall be available to hand. Have a dry powder or CO₂ fire extinguisher adjacent to the work area.
- 6. No ignition sources:** No person carrying out work in relation to a refrigeration system which involves exposing any pipe work that contains or has contained flammable refrigerant shall use any sources of ignition in such a manner that it may lead to risk of fire or explosion. All possible ignition sources including cigarette smoking, should be kept sufficiently far away from the site of installation, repairing, removing and disposal during which flammable refrigerant can possibly be released to the surrounding space. Prior to work taking place, the area around the equipment is to be surveyed to make sure there are no flammable hazards or ignition risks. No smoking signs shall be displayed.
- 7. Ventilated area:** Ensure that the area is in the open or that it is adequately ventilated before breaking into the system or conducting any hot work. A degree of ventilation shall continue during the period that the work is carried out. The ventilation should safely disperse any released refrigerant and preferably expel it externally into the atmosphere.
- 8. Checks to the refrigeration equipment:** Where electrical components are being changed, they shall be fit for the purpose and to the correct specification. At all times the manufacturer's maintenance and service guidelines shall be followed. If in doubt consult the manufacturer's technical department for assistance. The following checks shall be applied to installations using flammable refrigerants:
 - The charge size is in accordance with the room size within which the refrigerant containing parts are installed.
 - The ventilation machinery and outlets are operating adequately and are not obstructed.
 - If an indirect refrigerating circuit is being used, the secondary circuit shall be checked for the presence of refrigerant.
 - Marking to the equipment continues to be visible and legible. Markings and signs that become illegible must be corrected.
 - Refrigeration pipe or components are installed in a position where they are unlikely to be exposed to any substance which may corrode refrigerant containing components, unless the components are constructed of materials which are inherently resistant to being corroded or are suitable protected against being corroded.

SAVE THESE INSTRUCTIONS!



Important Safety Information

READ AND FOLLOW ALL SAFETY INSTRUCTIONS



- 9. Checks to electrical devices:** Repair and maintenance to electrical components shall include initial safety checks and component inspection procedures. If a fault exists that could compromise safety, then no electrical supply shall be connected to the circuit until it is satisfactorily dealt with. If the fault cannot be corrected immediately but it is necessary to continue operation, an adequate temporary solution shall be used. This shall be reported to the owner of the equipment so all parties are advised. Initial safety checks shall include:
- That capacitors are discharged. This shall be done in a safe manner to avoid possibility of sparking.
 - That no live electrical components and wiring are exposed while charging, recovering or purging the system.
 - That there is continuity of earth bonding.

Sealed electrical components shall be replaced

1. During repairs to sealed components, all electrical supplies shall be disconnected from the equipment being worked upon prior to any removal of sealed covers, etc. If it is absolutely necessary to have an electrical supply to equipment during servicing then a permanently operating form of leak detection shall be located at the most critical point to warn of a potentially hazardous situation.
2. To ensure that by working on electrical components the casing is not altered in such a way that the level of protection is affected, particular attention shall be paid to the following:
 - Damage to cables, excessive number of connections, terminals not made to original specification, damage to seals, incorrect fitting of glands, etc.
 - Ensure the apparatus is mounted securely.
 - Ensure that seals or sealing materials have not degraded such that they no longer serve the purpose of preventing the ingress of flammable atmospheres. Replacement parts shall be in accordance with the manufacturer's specifications.

Note: The use of silicon sealant may inhibit the effectiveness of some types of leak detection equipment. Intrinsically safe components do not have to be isolated prior to working on them.

Intrinsically safe components must be replaced

Do not apply any permanent inductive or capacitance loads to the circuit without ensuring that this will not exceed the permissible voltage and current permitted for the equipment in use. Intrinsically safe components are the only types that can be worked on while live in the presence of a flammable atmosphere. The test apparatus shall be at the correct rating. Replace components only with parts specified by the manufacturer. Other parts may result in the ignition of refrigerant in the atmosphere from a leak.

Cabling

Check that cabling will not be subject to wear, corrosion, excessive pressure, vibration, sharp edges or any other adverse environmental effects. The check shall also take into account the effects of aging or continual vibration from sources such as compressors or fans.

SAVE THESE INSTRUCTIONS!



Important Safety Information

READ AND FOLLOW ALL SAFETY INSTRUCTIONS



Detection of flammable refrigerants

Under no circumstances shall potential sources of ignition be used in the searching for or detection of refrigerant leaks. A halide torch or any other detector using a naked flame shall not be used. The following leak detection methods are deemed acceptable for systems containing flammable refrigerants.

- Electronic leak detectors shall be used to detect flammable refrigerants but the sensitivity may not be adequate or may need recalibration. Detection equipment shall be calibrated in a refrigerant-free area. Ensure that the detector is not a potential source of ignition and is suitable for the refrigerant used.
- Leak detection equipment shall be set at a percentage of the LFL of the refrigerant and shall be calibrated to the refrigerant employed and the appropriate percentage of gas (25% maximum) is confirmed.
- Leak detection fluids are suitable for use with most refrigerants but the use of detergents containing chlorine shall be avoided as the chlorine may react with the refrigerant and corrode the copper or pipe-work.
- If a leak is suspected, all naked flames shall be removed or extinguished.
- If a leakage of refrigerant is found which requires brazing, all of the refrigerant shall be recovered from the system or isolated by means of shut off valves in a part of the system remote from the leak. Oxygen free nitrogen (OFN) shall then be purged through the system both before and during the brazing process.

Removal and evacuation

When breaking into the refrigerant circuit to make repairs or for any other purpose conventional procedures shall be used. However, it is important that the best practice is followed since flammability is a consideration. The following procedures shall be adhered to:

- Safely remove refrigerant following local and national regulations;
- Evacuate;
- Purge the circuit with inert gas (optional for A2L);
- Evacuate (optional for A2L);
- Continuously flush or purge with inert gas when using flame to open circuit; and
- Open the circuit

The refrigerant charge shall be recovered into the correct recovery cylinders if venting is not allowed by local and national codes. For appliances containing flammable refrigerants, the system shall be purged with oxygen-free nitrogen to render the appliance safe for flammable refrigerants. This process might need to be repeated several times. Compressed air or oxygen shall not be used for purging refrigerant systems. For appliances containing flammable refrigerants, refrigerants purging shall be achieved by breaking the vacuum in the system with oxygen-free nitrogen and continuing to fill until the working pressure is achieved, then venting to atmosphere, and finally pulling down to a vacuum (optional for A2L). This process shall be repeated until no refrigerant is within the system (optional for A2L). When the final oxygen-free nitrogen charge is used, the system shall be vented down to atmospheric pressure to enable work to take place.

The outlet for the vacuum pump shall not be close to any potential ignition sources, and ventilation shall be available.

SAVE THESE INSTRUCTIONS!



Important Safety Information

READ AND FOLLOW ALL SAFETY INSTRUCTIONS



Charging procedures

In addition to conventional charging procedures, the following requirements shall be followed:

- Ensure that contamination of different refrigerants does not occur when using charging equipment. Hoses or lines shall be as short as possible to minimize the amount of refrigerant contained in them.
- Cylinders shall be kept upright.
- Ensure that the refrigeration system is earthed prior to charging the system with refrigerant.
- Label the system when charging is complete, if not already labeled.
- Extreme care shall be taken not to overfill the refrigeration system.
- Prior to recharging the system it shall be pressure tested with OFN. The system shall be leak tested on completion of charging but prior to commissioning. A follow up leak test shall be carried out prior to leaving the site.

Decommissioning

Before carrying out this procedure, it is essential that the technician is completely familiar with the equipment in all its detail. It is recommended good practice that all refrigerants are recovered safely. Prior to the task being carried out, an oil and refrigerant sample shall be taken in case analysis is required prior to re-use of reclaimed refrigerant. It is essential that electrical power is available before the task is commenced.

- A. Become familiar with the equipment and its operation.
- B. Isolate system electrically.
- C. Before attempting the procedure ensure that:
 - Mechanical handling equipment is available if required for handling refrigerant cylinders.
 - All personal protective equipment is available and being used correctly.
 - The recovery process is supervised at all times by a competent person.
 - Recovery equipment and cylinders conform to the appropriate standards.
- D. Pump down refrigerant system, if possible.
- E. If a vacuum is not possible, make a manifold so that refrigerant can be removed from various parts of the system.
- F. Make sure that cylinder is situated on the scales before recovery takes place.
- G. Start the recovery machine and operate in accordance with the manufacturer's instructions.
- H. Do not overfill cylinders. No more than 80% volume liquid charge.
- I. Do not exceed the maximum working pressure of the cylinder, even temporarily.
- J. When the cylinders have been filled correctly and the process is completed, make sure that the cylinders and the equipment are removed from the site promptly and all isolation valves on the equipment are closed off.
- K. Recovered refrigerant shall not be charged into another refrigeration system unless it has been cleaned and checked.

SAVE THESE INSTRUCTIONS!



Important Safety Information

READ AND FOLLOW ALL SAFETY INSTRUCTIONS



Labeling

Equipment shall be labeled stating that it has been decommissioned and emptied of refrigerant. The label shall be dated and signed. Ensure that there are labels on the equipment stating the equipment contains flammable refrigerant.

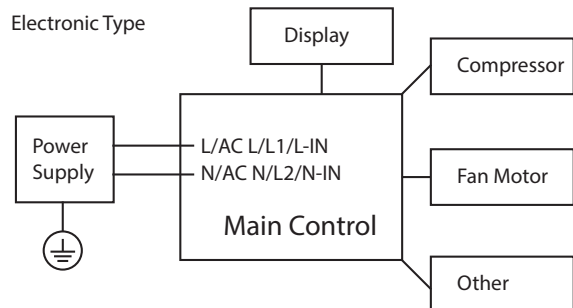
Recovery

When removing refrigerant from a system, either for servicing or decommissioning, it is recommended good practice that all refrigerants are removed safely.

When transferring refrigerant into cylinders, ensure that only appropriate refrigerant recovery cylinders are employed. Ensure that the correct number of cylinders for holding the total system charge are available. All cylinders to be used are designed for the recovered refrigerant and labeled for that refrigerant, i.e. special cylinders for the recovery of refrigerant. Cylinders shall be complete with pressure relief valve and associated shut-off valves in good working order. Empty recovery cylinders are evacuated and, if possible, cooled before recovery occurs.

The recovery equipment shall be in good working order with a set of instructions concerning the equipment that is at hand and shall be suitable for the recovery of flammable refrigerants. In addition, a set of calibrated weighing scales shall be available and in good working order. Hoses shall be complete with leak-free disconnect couplings and in good condition. Before using the recovery machine, check that it is in satisfactory working order, has been properly maintained and that any associated electrical components are sealed to prevent ignition in the event of a refrigerant leak. Consult the manufacturer if in doubt.

The recovered refrigerant shall be returned to the refrigerant supplier in the correct recovery cylinder and the relevant waste transfer note shall be arranged. Do not mix refrigerants in recovery units and especially not in cylinders. If compressors or compressor oils are to be removed, ensure that they have been evacuated to an acceptable level to make certain that flammable refrigerant does not remain within the lubricant. The evacuation process shall be carried out prior to returning the compressor to the suppliers. Only electric heating to the compressor body shall be employed to accelerate this process. When oil is drained from a system, it shall be carried out safely.



WARNING: Before performing any electrical or wiring work, turn off the main power to the system.

NOTE: Please strictly follow the wiring label attached to the machine for all wiring connections. The wiring diagram may vary for different unit. Please refer to the wiring diagram on the machine you have purchased. The above wiring diagram is a simplified version for preliminary illustration purposes only.

SAVE THESE INSTRUCTIONS!

INSTALLATION INSTRUCTIONS

ACCESSORIES

1. Air outlet adapter
2. Window slider A
3. Window slider B
4. Window slider C
5. Window slider bolts (x4)
6. Foam seal A (adhesive) (x2)
7. Foam seal B (adhesive) (x2)
8. Foam seal C (non-adhesive) (x2)
9. Security bracket and 2 screws
10. Drain hose
11. Remote control and batteries
12. Power cord buckle

NOTE:

The adaptor and short foam seals are located on the top of the foam in side the carton.

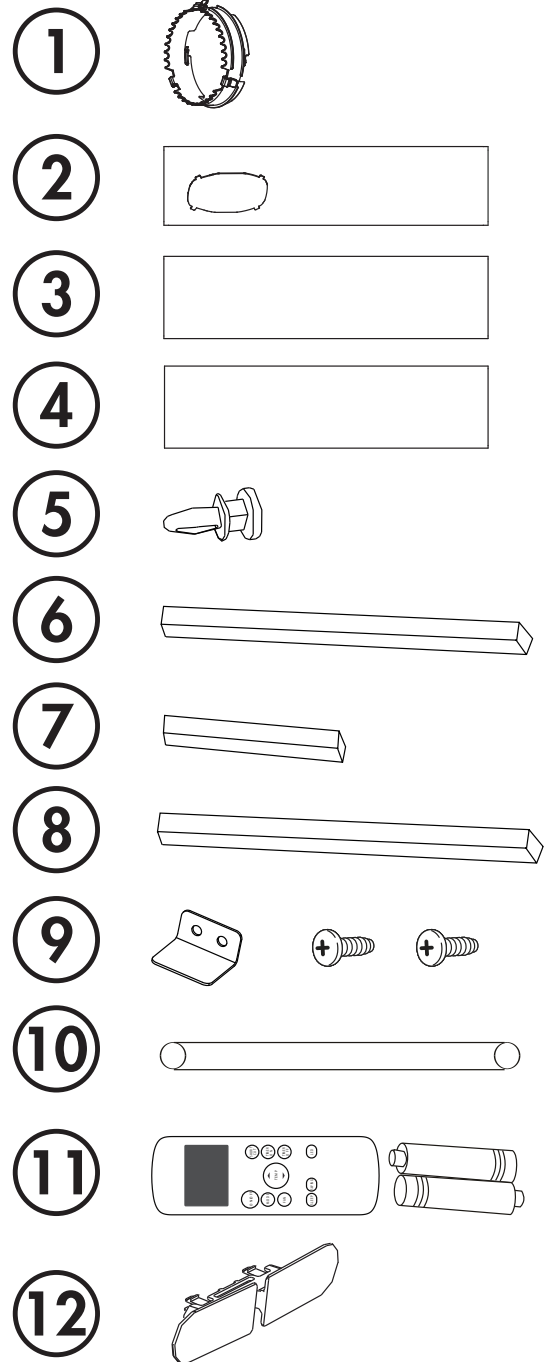
Two additional castors are provided in case of any damage that may occur during shipment.

REQUIRED TOOLS

1. Medium sized Phillips screwdriver
2. Tape measure or ruler
3. Knife or scissors
4. Saw (if the window sliders need to be cut to size)

IMPORTANT WARNING

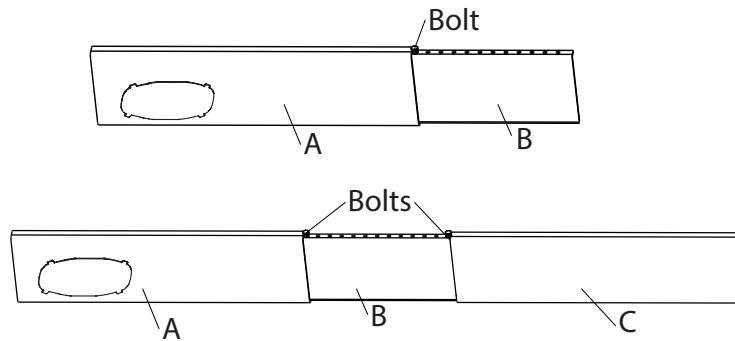
Do not leave this appliance unattended in a space where people or animals who cannot react to a malfunction are located. A malfunction such as the exhaust hose becoming dislocated, can cause extreme overheating or death in an enclosed, unattended space.



INSTALLATION INSTRUCTIONS

WINDOW KIT ASSEMBLY

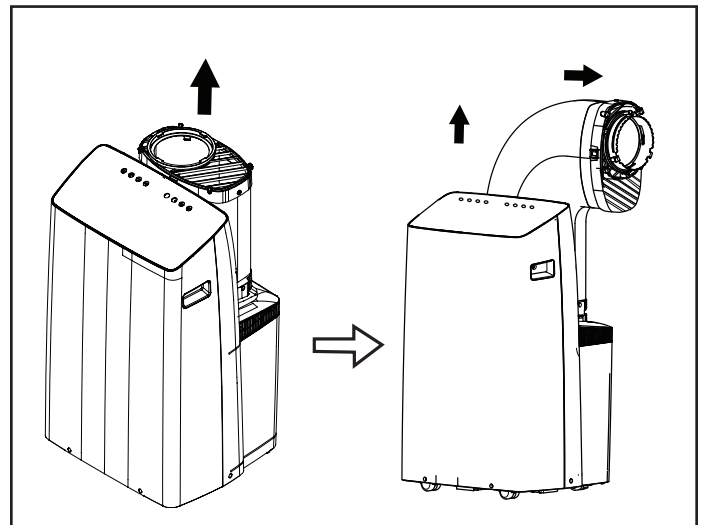
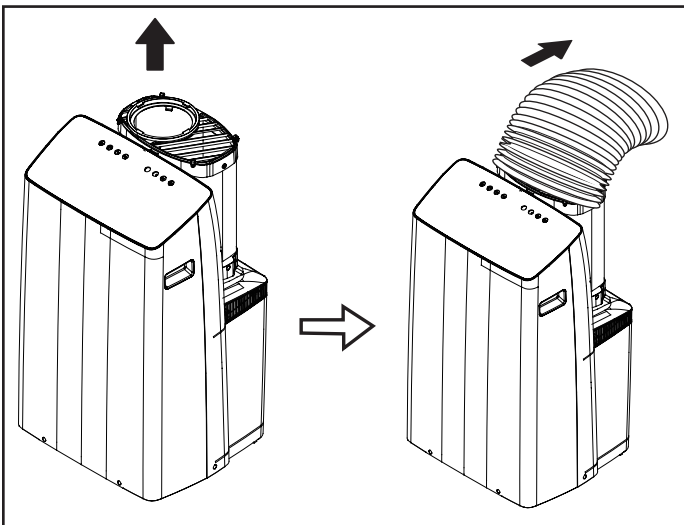
1. Measure the window opening where the window kit will be installed.
2. Assemble as many sliders as necessary to fit the window. If the window opening is less than the minimum length of a single slider, use the slider that has the hole in it and cut it to the correct length. Make sure not to cut the end that has the hole as this is necessary to attach the exhaust hose adapter.
3. Use the window slider bolts to secure the window sliders at the correct length.



EXHAUST HOSE

Pull out the hose

1. Rotate the exhaust hose gently backwards.
2. Pull out the exhaust hose.

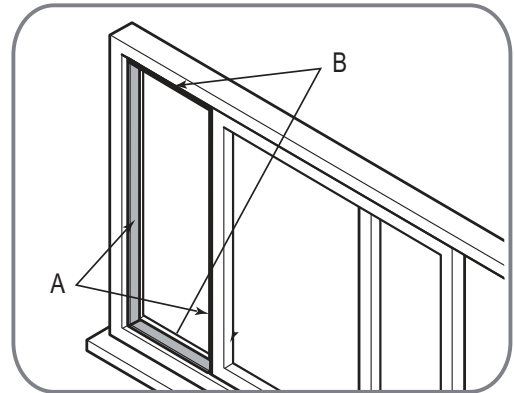
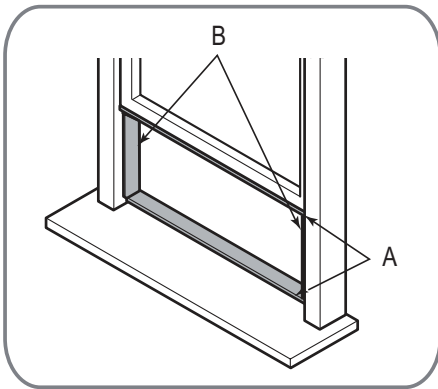


INSTALLATION INSTRUCTIONS

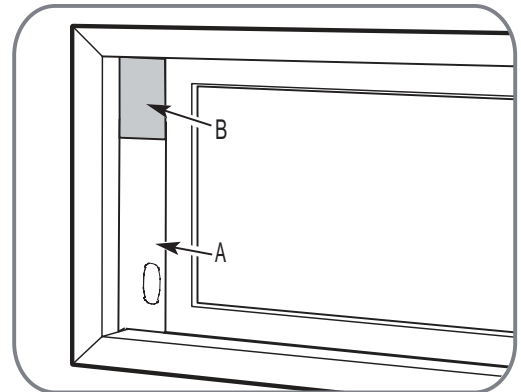
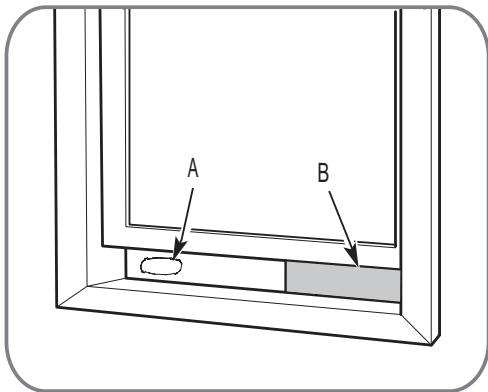
INSTALLING THE WINDOW KIT

The instructions below can be used for a hung window application (shown on the left) or an optional sliding window application (shown on the right).

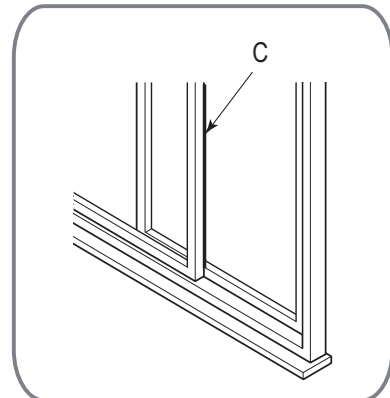
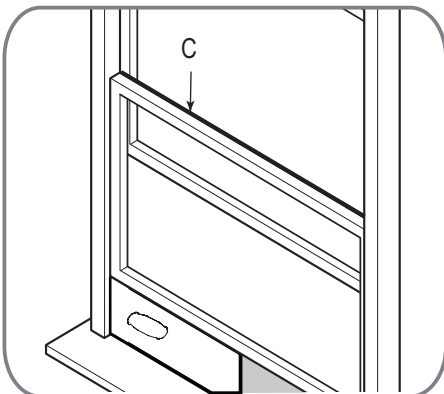
1. Cut adhesive foam seals A and B to the correct lengths and attach them to the window frame as shown.



2. Insert the window slider kit into the window opening and close the window to secure it in place.

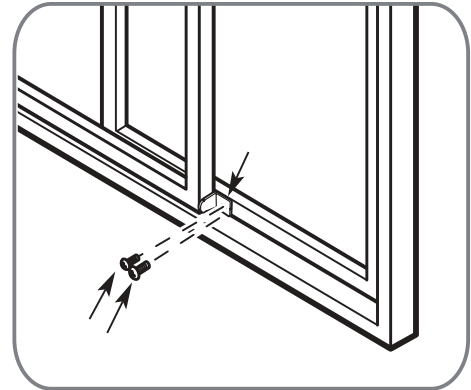
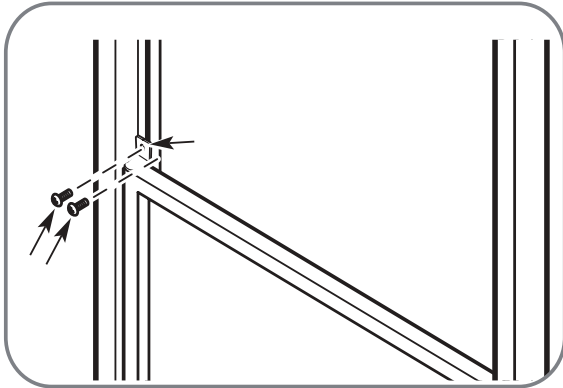


3. Cut the non-adhesive foam seal C to match the width or height of the window and insert it between the panes of glass as shown to prevent outside air from entering the window.

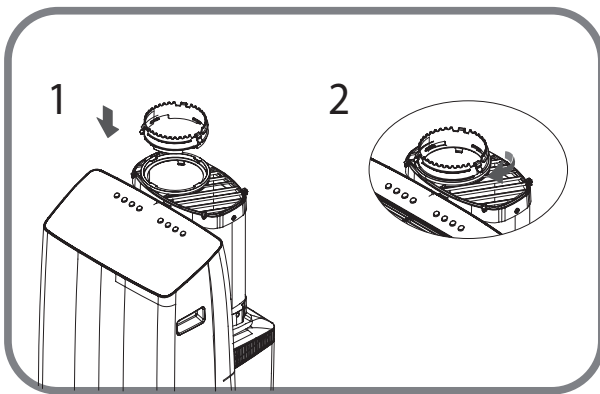


INSTALLATION INSTRUCTIONS

4. If desired, install the security bracket with 2 screws as shown.

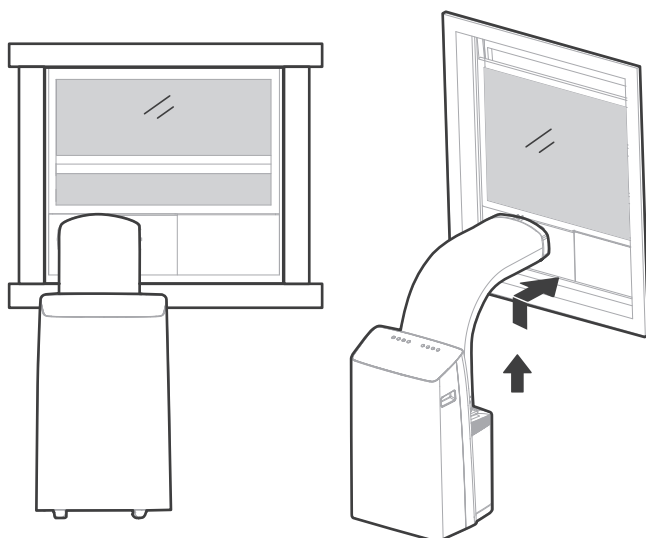


5. Attach the air outlet adapter onto the exhaust hose and rotate it 90° to secure it in place.

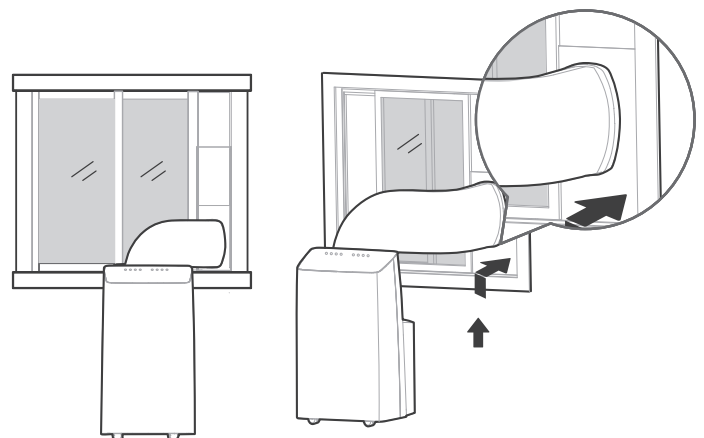


6. Attach the air outlet adapter onto the window slider kit.

Hung Window Installation



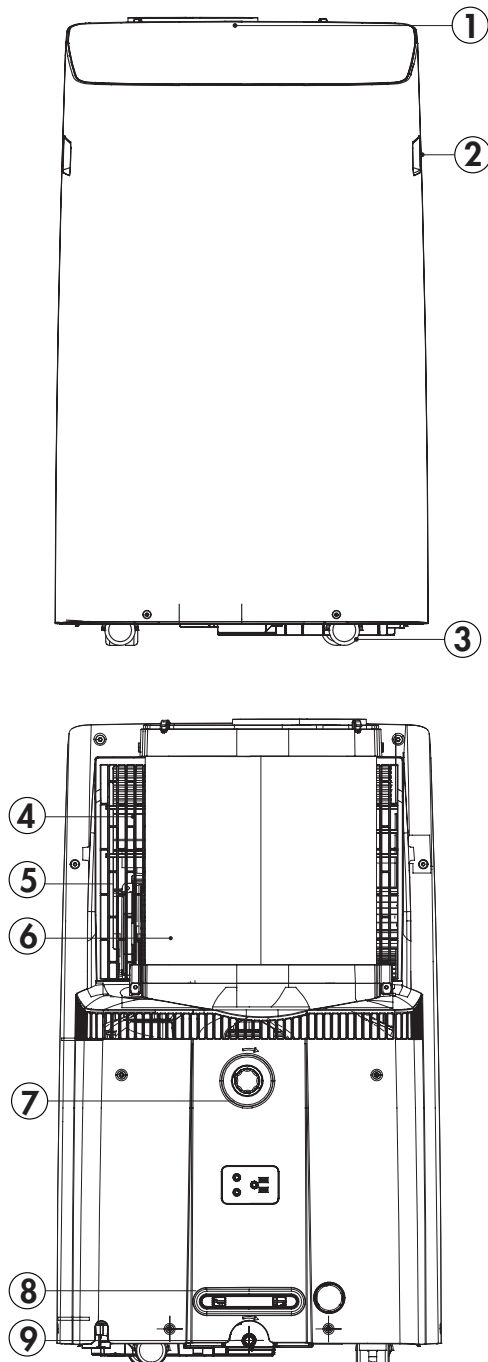
Sliding Window Installation



OPERATING INSTRUCTIONS

FEATURES

1. Control panel
2. Handle (both sides)
3. Casters
4. Upper air filter
5. Upper air intake
6. Exhaust hose
7. Continuous drain
8. Power cord storage band
9. Bottom tray drain



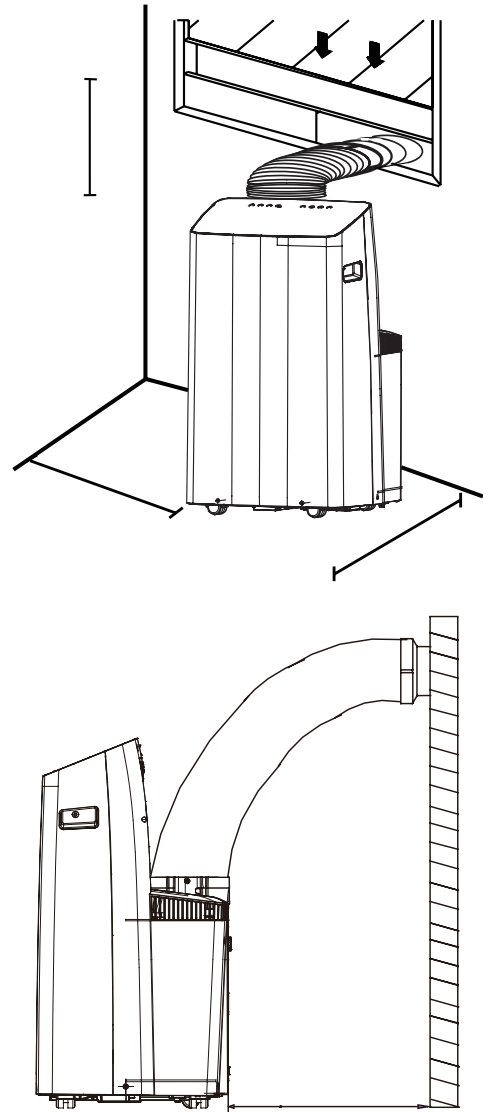
LOCATION

Place the air conditioner on a smooth, level floor that is strong enough to support it and all included accessories. Make sure it is level to minimize noise and vibration.

The air conditioner must be installed near a grounded receptacle and the overflow drain outlet on the rear must be accessible.

Do not cover air inlets or outlets or the remote control receiver on the control panel.

The air conditioner requires 25 cm (10 inches) of space on the sides and back for proper air circulation. The louver blade should be 50 cm (20 inches) away from obstacles.



OPERATING INSTRUCTIONS

CONTROL PANEL

- 1. Swing and wireless connect button:**
 - Press to start the auto swing feature.
 - Press and hold for three seconds to start using the wireless connect feature.
- 2. Timer button:** Press to set the automatic timer. Light will indicate whether a timer is set.
- 3. Mode button:** Press to select the desired mode. Light will indicate current mode.
- 4. Temperature control buttons:**
 - Press to modify the set temperature in 1° increments in a range of 16 - 30°C (60 - 86°F).
 - Press to modify the timer setting in 0.5 hour increments up to 10 hours and then in 1 hour increments up to 24 hours.
 - Press and hold both temperature control buttons for three seconds to change the temperature display from °C to °F.
- 5. LED display:**
 - Shows the set temperature in °C or °F.
 - Shows the timer settings.
 - Shows error codes.
 - When on fan mode, shows the room temperature.
- 6. Fan button:**
 - Press to select fan speed. Light will indicate current speed.
 - Press and hold for 3 seconds to turn the continuous fan on or off.
- 7. Sleep and filter button:**
 - Press to start the sleep feature.
 - The filter light will illuminate after 250 hours of use as a reminder to clean the filter; to reset the filter after cleaning, press and hold the sleep button for three seconds.
- 8. Power button:** Press to turn the appliance on or off.



OPERATING MODES

Cool Mode

- Choose cool mode to set the cooling function.
- Use the temperature control buttons to choose the desired temperature.
- Use the fan button to choose the desired fan speed.
- The temperature can be set within a range of 16 - 30°C (60 - 86°F).
- The exhaust hose should be installed.

Dry Mode

- Choose dry mode to remove excess moisture from the air. Water will condense inside the appliance and drain out the back.
- The humidity level and fan speed will be automatically set and cannot be modified in dry mode.
- The display will show the current room temperature.
- The exhaust hose does not need to be connected to the window kit.
- It may be necessary to install the continuous drain hose during dry mode to remove excess water.

Fan Mode

- Fan mode can be used to run the fan without engaging the cooling or dehumidifying functions.
- Use the fan button to choose the desired fan speed.
- The exhaust hose does not need to be connected to the window kit.
- In cooling or dry mode, press and hold the fan button for 3 seconds to set the fan to run continuously. Press and hold the fan button for 3 seconds to disengage the continuous fan. During normal operation the fan will turn on and off with the compressor.

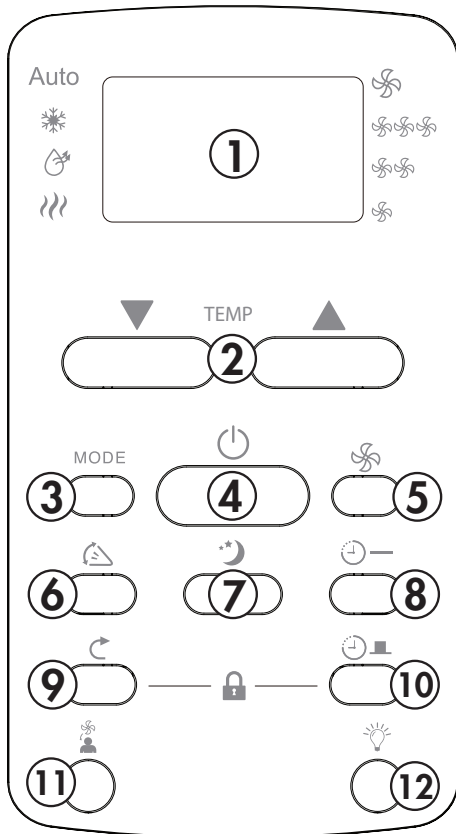
Auto Mode

Auto mode is a pre-set factory program that automatically chooses between cool or fan mode and sets the fan speed based on the set temperature and the ambient temperature. The exhaust hose should be installed during auto mode.

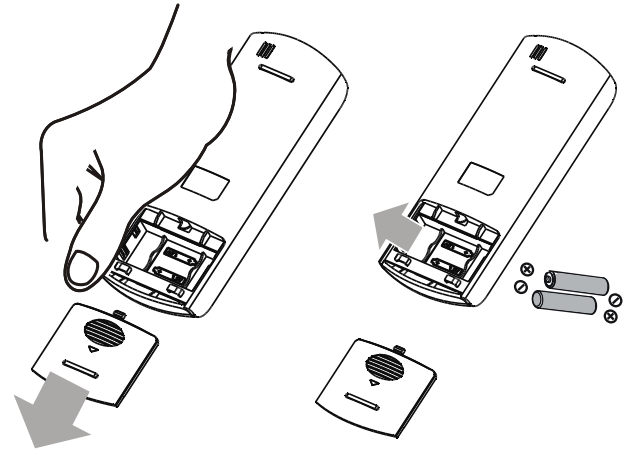
REMOTE CONTROL

- 1. LED display:** Shows the set temperature or the auto-timer settings. Shows whether Follow Me is active.
- 2. Temperature control buttons:** Used to set the temperature. Press and hold both temperature control buttons for 3 seconds to change the temperature display from °C to °F.
- 3. Mode button:** Press to select the desired mode.
- 4. Power button:** Press to turn on or off.
- 5. Fan button:** Press to select fan speed.
- 6. Swing button:** Press to start the auto swing feature. When auto swing is activated, press again to stop the louver at the desired angle.
- 7. Sleep button:** Press to start the sleep feature.
- 8. Timer on button:** Press to set the automatic on timer.
- 9. Shortcut button:** Press to set and activate the Shortcut feature.
- 10. Timer off button:** Press to set the automatic off timer.
- 11. Follow Me button:** Press to activate Follow Me.
- 12. LED button:** Press to turn the LED display on the appliance on or off.

OPERATING INSTRUCTIONS



- Remove used batteries promptly. Replace all batteries of a set at the same time.
- Clean the battery contacts and also those of the device prior to the battery installation.
- The remote operates within a range of 8 meters (26 ft.) from the receiver located inside the main appliance. Any obstruction between the receiver and remote may cause signal interference, limiting the ability to program the main unit.



Note: This model does not include heat mode.

REPLACING THE REMOTE BATTERIES

This air conditioner comes with two AAA batteries. Place the batteries in the remote control before use.

1. Slide the back cover from the remote downward to expose the battery compartment.
2. Insert the batteries, ensure to match the (+) and (-) symbols on the ends of the batteries with the symbols inside the battery compartment.
3. Slide the battery cover back into place.

Notes:

- The air conditioner will not respond if curtains or other items block the signal from the remote control to the air conditioner.
- If the infrared receiver on the control panel is exposed to direct sunlight, the signal from the remote might not be received properly. Use curtains to prevent the sunlight from falling on the receiver.
- Do not mix old and new batteries or batteries of different types.
- Do not leave the batteries in the remote control if it is not going to be used for more than 2 months.

IMPORTANT

Do not dispose of batteries as unsorted municipal waste. Refer to local laws for proper disposal of batteries.

REMOTE CONTROL REGULATIONS

This equipment has been tested and found to comply with the limits for a Class B digital device, pursuant to Part 15 of the FCC Rules. These limits are designed to provide reasonable protection against harmful interference in a residential installation. This equipment generates, uses and can radiate radio frequency energy and, if not installed and used in accordance with the instructions, may cause harmful interference to radio communications. However, there is no guarantee that interference will not occur in a particular installation.

If this equipment does cause harmful interference to radio or television reception, which can be determined by turning the equipment off and on, the user is encouraged to try to correct the interference by one or more of the following measures:

1. Reorient or relocate the receiving antenna
2. Increase the separation between the equipment and receiver
3. Connect the equipment into an outlet on a circuit different from that to which the receiver is connected

OPERATING INSTRUCTIONS

4. Consult the dealer or an experienced radio/TV technician for help
5. Changes or modifications not approved by the party responsible for FCC and Industry Canada compliance could void the user's authority to operate the equipment.

This appliance complies with Part 15 of the FCC Rules. Operation is subject to the following conditions:

1. This device may not cause interference.
2. This device must accept any interference received, including interference that may cause undesired operation.

This device complies with Canadian CAN ICES-003(B)/NMB-003(B)

SUPPLIER'S DECLARATION OF CONFORMITY

47 CFR § 2.1077 Compliance Information

Unique Identifier:

Danby, RG51F(2)/EF, RG51F(2)/EF-B

Responsible Party U.S. Contact Information:

Danby Products Inc.
1800 Production Drive
Findlay, OH
45840

Telephone number or internet contact information: Danby.com

FCC Compliance Statement:

This appliance complies with Part 15 of the FCC Rules. Operation is subject to the following conditions:

1. This device may not cause interference.
2. This device must accept any interference received, including interference that may cause undesired operation.

TIMER

Auto Off

1. When the air conditioner is turned on, press the timer button to activate the auto off timer.
2. Press the temperature control buttons to change the set time in 0.5 hour increments up to 10 hours and then in 1 hour increments up to 24 hours.

Auto On

1. When the air conditioner is turned off, press the timer button to activate the auto on timer.
2. Press the temperature control buttons to change the set time in 0.5 hour increments up to 10 hours and then in 1 hour increments up to 24 hours.

The timer will not cycle the air conditioner on and off indefinitely. The auto on and auto off timers will function one time and then the air conditioner will return to regular operation. When setting the timer, the display will revert back to showing the temperature if there is no input within 5 seconds. Turn the air conditioner off, set the timer to 0 or press and hold the timer button for 3 seconds to turn off the timer.

SHORTCUT

Shortcut can be used to save a favourite setting. Set the air conditioner to the desired temperature and fan speed. Press and hold the shortcut button for 2 seconds. Press the shortcut button at any point in future to return to the favourite setting. Shortcut is only available on the remote control. If no shortcut is set, pressing the shortcut button will set the air conditioner to run in auto mode at 29°C (79°F), with fan speed set to auto.

SLEEP

The sleep feature can be used to conserve energy during sleeping hours. This feature can be used during cool and heat mode. It is not available in dry or fan mode. The temperature will increase by 1 degree every 30 minutes for 1 hour. The unit will hold the new temperature for 7 hours. The sleep feature can be canceled at any time by pressing the sleep button.

FOLLOW ME

There is a temperature sensor built into the remote control that will continuously collect the current room temperature. Keep the remote control with you and the appliance will automatically adjust the set temperature based on the current temperature where you are located to reach the most comfortable condition.

Press the follow me button to activate the feature. The remote will send a signal to the air conditioner every 3 minutes, so long as you remain within range of the appliance.

If the appliance does not receive a signal from the remote during any 7 minute interval, it will beep to indicate that follow me has ended. The maximum distance for the follow me feature is 8 meters (26 feet). This feature is available in cool and auto modes.

OPERATING INSTRUCTIONS

AUTO RESTART

If the air conditioner loses power unexpectedly, it will resume the previous settings once power is restored. When the air conditioner has been turned off, it cannot be restarted for 3 minutes to protect the internal components.

LOUVER ADJUSTMENT

When the air conditioner is turned on, the louver opens fully. Press the swing button to begin the louver movement. The louver will swing up and down automatically. Press the swing button again to stop the automatic louver swing. Please do not adjust the louver manually.

WIRELESS CONNECTION

This air conditioner can be controlled with a wireless application on your wireless device. Reference the wireless manual included in the accessory bag for more information.

- Press and hold the swing button for 3 seconds to activate the wireless connection. "AP" will show on the display when the appliance is in wireless connection mode.
- Press and hold the swing button and the temperature decrease button for 3 seconds to turn off wireless connection mode.

WATER DRAINAGE

Ensure the air conditioner is turned off and unplugged and that it is close to a floor drain before setting up any drain option.

1. Drain Plug

When the internal drain pan becomes full the appliance will beep 8 times and the digital display will show error code P1. The air conditioning or dehumidifying action will stop but the fan may continue to operate.

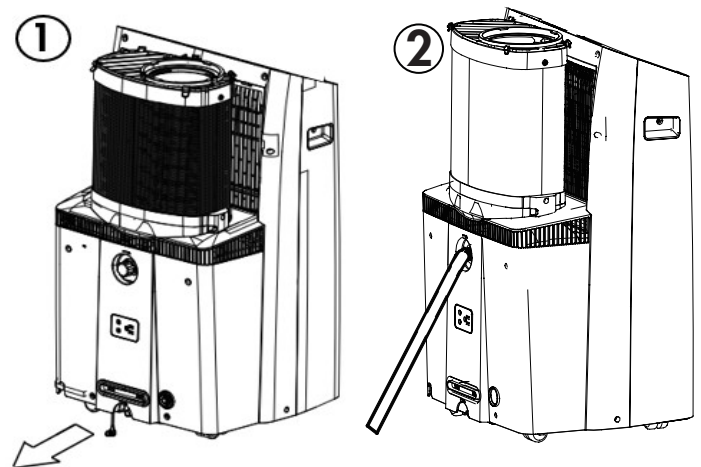
Remove the drain plug and allow the water to completely drain. Replace the bottom drain plug, pressing firmly to ensure a tight fit and no leaks.

2. Continuous Drain

During dry mode, you may wish to install a continuous drain option so that the air conditioner will automatically drain collected water.

Remove the upper drain plug and attach the drain hose that was provided with the air conditioner. Place the open end of the drain hose over the receptacle that it will drain into; this could be a basement floor drain, a sink or similar.

Ensure that there are no kinks or bends in the drain hose and that it goes straight down toward the floor. The continuous drain is activated by gravity only. If the hose is not positioned directly downwards, water will not drain correctly.



CARE & MAINTENANCE

CLEANING

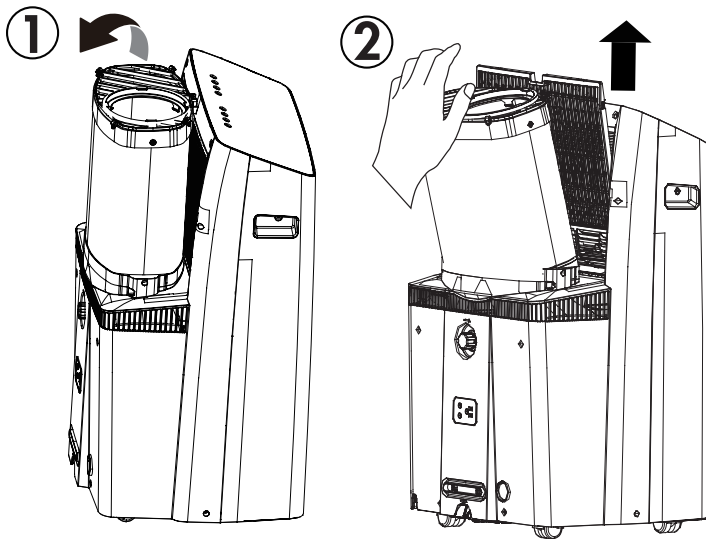
- Unplug the appliance before cleaning or servicing.
- Clean the cabinet with a lukewarm damp cloth and neutral detergent. Dry the cabinet with a lint-free dry cloth.
- Do not use gasoline, paint thinner or other chemicals to clean the appliance.
- Do not wash the appliance directly under a tap or using a hose. It may cause electrical damage.

AIR FILTERS

The air filter should be cleaned every two weeks to ensure efficient performance. In households with animals, the air filters may need to be cleaned more often and the external grills may need to be wiped to prevent blocked air flow.

To access the filter:

1. Hold the exhaust hose, push it backward slightly and then lift it up.
2. Remove the filter.



LONG-TERM STORAGE

1. Drain all water from the appliance.
2. Run the appliance on Fan mode for half a day in a warm room to dry the inside of the appliance and prevent mold formation.
3. Turn off the appliance and unplug it, wrap the cord and bundle it with tape.
4. Remove the batteries from the remote control.
5. Clean the air filters and reinstall them.
6. Store the appliance in a cool, dark place. Prolonged exposure to direct sunlight or extreme heat can shorten the lifespan of the appliance.

DISPOSAL

This appliance should not be treated as regular household waste. Check for local regulatory compliance regarding the approved and safe disposal of this appliance.

ERROR CODES

P1 - water tray is full - attach drain hose and drain excess water

EC52: outdoor tube temperature T3 sensor failure

EC54: outdoor exhaust temperature sensor failure

EH61: indoor tube temperature T2 sensor failure

If any other error code appears on the display, unplug the air conditioner and allow it to sit undisturbed for 5 minutes. If the error code persists when the unit is plugged back in, please contact consumer service.

FREQUENTLY ASKED QUESTIONS

Can I leave my air conditioner in place through the winter?

No, it is not recommended to leave the window kit in place during the winter.

What is the electrical rating?

This information can be found on the rating plate located on the side of the unit.

Can I use an extension cord?

No, an extension cord may not be used.

When should I use the exhaust hose?

The exhaust hose should be used in cool, heat and auto modes. It is not required in fan and dry modes.

Can I extend the length of the exhaust hose?

No, extending the length of the exhaust hose can actually cause the air conditioner to run less efficiently. Instead use an additional fan to blow the cool air to other locations.

When should I use the drain hose?

The drain hose should be used in heat mode, dry mode or if using the continuous drain.

Where do I drain water from?

There are two different drain options on this air conditioner, please refer to the water drainage section.

TROUBLESHOOTING

Air conditioner will not operate

- Plug is not fully inserted into the wall outlet.
- Blown fuse or circuit breaker.

Insufficient cooling

- Air filter is dirty.
- Blocked air flow.
- Appliance size is too small for application.

Noise

- The ground is not level.
- The air filter is dirty or blocked.
- Gurgling sounds are normal, this is coolant moving inside the appliance.

Odors

- Usually caused by the formation of mold or mildew on internal wet surfaces.
- Ensure the filter is clean.
- Run the air conditioner on fan mode to remove any internal moisture.
- Check for any blockages in the drain lines and ensure there are no obstructions.
- Place an algaecide tablet in the base pan; ensure the appliance is unplugged, remove the upper grille and filter, place the tablet in the middle water tray and replace the grille and filter

AP showing on the display

- "AP" stands for "access point" and is used for the wireless connection feature.
- If "AP" is showing on the control panel display, this means you have activated the wireless connection by pressing and holding the swing button for more than 3 seconds.
- If you are not going to use a wireless connection, press and hold the swing button and the down arrow for 3 seconds to turn off AP wireless connection mode.
- AP mode will shut down automatically after 8 minutes.



Limited “In-Home” Warranty

This quality product is warranted to be free from manufacturer’s defects in material and workmanship, provided that the unit is used under the normal operating conditions intended by the manufacturer. This warranty is available only to the person to whom the unit was originally sold by Danby Products Limited (Canada) or Danby Products Inc. (U.S.A.) (hereafter “Danby”) or by an authorized distributor of Danby, and is non-transferable.

Terms of Warranty

Plastic parts are warranted for thirty (30) days from the date of purchase, with no extensions provided.

First 24 months During the first twenty four (24) months, any functional parts of this product found to be defective, will be repaired or replaced, at warrantor’s option, at no charge to the original purchaser.

To obtain service Contact the dealer where the unit was purchased, or contact the nearest authorized Danby service depot, where service must be performed by a qualified service technician. If service is performed on the unit by anyone other than an authorized service depot, all obligations of Danby under this warranty shall be void.

Boundaries of in-home service Danby reserves the right to limit the boundaries of “In Home Service” to the proximity of an authorized service depot. Any appliance requiring service outside the limited boundaries of “In Home Service”, will be the consumer’s responsibility to transport at their own expense to the original point of purchase or a service depot for repair. If the appliance is installed in a location that is 100 kilometers (62 miles) or more from the nearest service center, it must be delivered to the nearest authorized Danby Service Depot by the purchaser.

Transportation charges to and from the service location are not protected by this warranty and are the responsibility of the purchaser.

Exclusions

Save as herein provided, by Danby, there are no other warranties, conditions, representations or guarantees, express or implied, made or intended by Danby or its authorized distributors and all other warranties, conditions, representations or guarantees, including any warranties, conditions, representations or guarantees under any Sale of Goods Act or like legislation or statute is hereby expressly excluded. Save as herein provided, Danby shall not be responsible for any damages to persons or property, including the unit itself, howsoever caused or any consequential damages arising from the malfunction of the unit and by the purchase of the unit, the purchaser does hereby agree to indemnify and hold harmless Danby from any claim for damages to persons or property caused by the unit.

General Provisions

No warranty or insurance herein contained or set out shall apply when damage or repair is caused by any of the following:

1. Power failure.
2. Damage in transit or when moving the appliance.
3. Improper power supply such as low voltage, defective house wiring or inadequate fuses.
4. Accident, alteration, abuse or misuse of the appliance such as inadequate air circulation in the room or abnormal operating conditions (ie. extremely high or low room temperature).
5. Use for commercial or industrial purposes (ie. If the appliance is not installed in a domestic residence).
6. Fire, water damage, theft, war, riot, hostility, acts of God such as hurricanes, floods etc.
7. Service calls resulting in customer education.
8. Improper Installation (ie. Building-in of a free standing appliance or using an appliance outdoors that is not approved for outdoor application, including but not limited to: garages, patios, porches or anywhere that is not properly insulated or climate controlled).

Proof of purchase date will be required for warranty claims; retain bills of sale. In the event that warranty service is required, present the proof of purchase to our authorized service depot.

Bienvenue dans la famille Danby.

Nous sommes fiers de nos produits de qualité et nous croyons en un service fiable. Nous vous suggérons de lire ce manuel du propriétaire avant de brancher votre nouvel appareil car il contient des informations de fonctionnement importantes, des informations de sécurité, des conseils de dépannage et d'entretien pour assurer la fiabilité et la longévité de votre appareil.

Vous avez droit à la couverture de la garantie décrite dans le manuel du propriétaire fourni avec votre nouvel appareil.

1. Veuillez noter ci-dessous les informations relatives à votre appareil. **Vous devez conserver la preuve d'achat originale pour valider et bénéficier des services de garantie.**
2. Enregistrez votre produit en ligne et recevez une **PROLONGATION DE GARANTIE GRATUITE DE 2 MOIS** après avoir rempli une enquête sur les produits, à l'adresse www.danby.com/support/product-registration/

Numéro de modèle : _____

Numéro de série : _____

Date d'achat : _____

Besoin d'assistance?

1. Lisez votre manuel du propriétaire pour obtenir de l'aide à l'installation, au dépannage et à la maintenance.
2. Visitez www.Danby.com pour accéder aux outils en libre-service, aux FAQ et bien plus encore en recherchant votre numéro de modèle dans la barre de recherche.
3. Pour bénéficier du **service client le plus rapide**, veuillez remplir le formulaire Web à l'adresse www.danby.com/support. Votre soumission ira directement à un expert de votre appareil particulier. Nos temps de réponse moyens sont compris entre 20 minutes et 2 heures, pendant les heures ouvrables EST.
4. Composez le **1-800-263-2629** - veuillez noter que pendant les heures de pointe, les temps d'attente peuvent dépasser une heure.



Consignes de sécurité importantes
LIRE ET SUIVRE TOUTES LES INSTRUCTIONS DE SÉCURITÉ



Remarque importante : Lisez attentivement ce manuel avant d'installer ou d'exploiter cet appareil. Assurez-vous de sauver le manuel pour référence future.

	MISE EN GARDE	Indique que le manuel d'utilisation doit être lu attentivement.
	MISE EN GARDE	Indique que le personnel de service doit manipuler cet équipement en se référant au manuel d'installation.
	MISE EN GARDE	Indique que les informations sont disponibles telles que le manuel d'utilisation ou le manuel d'installation.



ATTENTION: RISQUE D'INCENDIE

Fluide frigorigène inflammable utilisé. Lors de l'entretien ou de la mise au rebut du climatiseur, le réfrigérant ne doit pas pouvoir s'échapper à l'air libre.

GARDEZ CES INSTRUCTIONS!



Consignes de sécurité importantes

LIRE ET SUIVRE TOUTES LES INSTRUCTIONS DE SÉCURITÉ



PRÉCAUTIONS DE SÉCURITÉ

ATTENTION

- L'installation doit être effectuée conformément aux instructions d'installation. Une mauvaise installation peut provoquer des fuites d'eau, des chocs électriques ou un incendie.
- Utilisez uniquement les accessoires et pièces inclus et les outils spécifiés pour l'installation. L'utilisation de pièces non standard peut provoquer des fuites d'eau, des chocs électriques, des incendies et des blessures ou des dommages matériels.
- Assurez-vous que la prise que vous utilisez est mise à la terre et a la tension appropriée. Le cordon d'alimentation est équipé d'une fiche de mise à la terre à trois broches pour protéger contre les chocs. Les informations sur la tension se trouvent sur la plaque signalétique de l'unité.
- Votre appareil doit être utilisé dans une prise murale correctement mise à la terre. Si la prise murale que vous envisagez d'utiliser n'est pas correctement mise à la terre ou protégée par un fusible temporisé ou un disjoncteur (le fusible du disjoncteur nécessaire est déterminé par le courant maximum de l'unité. Le courant maximum est indiqué sur la plaque signalétique située sur l'unité), demandez à un électricien qualifié d'installer la prise appropriée.
- Installez l'appareil sur une surface plane et solide. Le non-respect de cette consigne peut entraîner des dommages ou un bruit et des vibrations excessifs.
- L'unité doit être maintenue libre de toute obstruction pour assurer un bon fonctionnement et pour atténuer les risques pour la sécurité.
- Ne modifiez pas la longueur du cordon d'alimentation et n'utilisez pas de rallonge pour alimenter l'unité.
- Ne partagez pas une seule prise avec d'autres appareils électriques. Une alimentation électrique incorrecte peut provoquer un incendie ou un choc électrique.
- N'installez pas votre climatiseur dans une pièce humide telle qu'une salle de bain ou une buanderie. Une exposition excessive à l'eau peut provoquer un court-circuit des composants électriques.
- N'installez pas l'unité dans un endroit qui pourrait être exposé à des gaz combustibles car cela pourrait provoquer un incendie.
- L'unité a des roues pour faciliter le déplacement. Veillez à ne pas utiliser les roues sur un tapis épais ou à rouler sur des objets car cela pourrait provoquer un basculement.
- N'utilisez pas un appareil tombé ou endommagé.
- L'appareil avec chauffage électrique doit avoir au moins 1 mètre d'espace par rapport aux matériaux combustibles.
- Ne touchez pas l'appareil avec les mains mouillées ou humides ou pieds nus.
- Si le climatiseur est renversé pendant son utilisation, éteignez l'appareil et débranchez-le immédiatement de l'alimentation principale. Inspectez visuellement l'appareil pour vous assurer qu'il n'y a pas de dommages. Si vous pensez que l'appareil a été endommagé, contactez un technicien ou un service client pour obtenir de l'aide.
- En cas d'orage, l'alimentation électrique doit être coupée pour éviter d'endommager la machine en raison de la foudre.
- Votre climatiseur doit être utilisé de manière à être protégé de l'humidité. Par exemple, condensation, éclaboussures d'eau, etc. Ne placez pas et ne stockez pas votre climatiseur là où il pourrait tomber ou être entraîné dans l'eau ou tout autre liquide. Débranchez immédiatement si cela se produit.
- Tout le câblage doit être effectué strictement conformément à l'emplacement du schéma de câblage à l'intérieur de l'unité.
- La carte de circuit imprimé de l'unité (PCB) est conçue avec un fusible pour fournir une protection contre les surintensités. Les spécifications du fusible sont imprimées sur le circuit imprimé.
- Lorsque la fonction de vidange de l'eau n'est pas utilisée, maintenez les bouchons de vidange supérieur et inférieur fermement installés dans l'unité. Les bouchons de vidange peuvent présenter un risque d'étouffement pour les enfants.

GARDEZ CES INSTRUCTIONS!



Consignes de sécurité importantes

LIRE ET SUIVRE TOUTES LES INSTRUCTIONS DE SÉCURITÉ



ATTENTION

- Cet appareil n'est pas destiné à être utilisé par des personnes (y compris des enfants) dont les capacités physiques, sensorielles ou mentales peuvent être différentes ou réduites, ou qui manquent d'expérience ou de connaissances, à moins que ces personnes ne reçoivent une supervision ou une formation pour faire fonctionner l'appareil par une personne responsable de leur sécurité. Les enfants doivent être surveillés pour s'assurer qu'ils ne jouent pas avec l'appareil. Les enfants doivent être surveillés à tout moment autour de l'unité.
- Si le cordon d'alimentation est endommagé, il doit être remplacé par le fabricant, son agent de service ou des personnes de qualification similaire afin d'éviter tout danger.
- Avant le nettoyage ou tout autre entretien, l'appareil doit être débranché de l'alimentation électrique.
- Ne retirez aucun couvercle fixe. N'utilisez jamais cet appareil s'il ne fonctionne pas correctement ou s'il est tombé ou est endommagé.
- Ne faites pas passer le cordon sous la moquette. Ne couvrez pas le cordon avec des tapis, des patins ou des revêtements similaires. Ne faites pas passer le cordon sous des meubles ou des appareils. Disposez les cordons loin de la circulation et à un endroit où ils ne risquent pas de trébucher.
- N'utilisez pas un appareil dont le cordon d'alimentation, la fiche, le fusible d'alimentation ou le disjoncteur sont endommagés. Jetez l'appareil ou renvoyez-le à un centre de service autorisé pour examen et / ou réparation.
- Pour réduire le risque d'incendie ou d'électrocution, n'utilisez pas ce climatiseur avec un dispositif de contrôle de vitesse à semi-conducteurs.
- L'appareil doit être installé conformément aux réglementations nationales en matière de câblage.
- Contactez le technicien de service agréé pour la réparation ou l'entretien de cet appareil.
- Contactez l'installateur de service autorisé pour l'installation de cet appareil.
- Ne pas couvrir ni obstruer les grilles d'entrée ou de sortie.
- N'utilisez pas ce produit pour des fonctions autres que celles décrites dans ce manuel d'instructions.
- Avant le nettoyage, coupez l'alimentation et débranchez l'appareil.
- Débranchez l'alimentation si des sons, des odeurs ou de la fumée étranges en proviennent.
- N'appuyez pas sur les boutons du panneau de commande avec autre chose que vos doigts.
- Ne retirez aucun couvercle fixe. N'utilisez jamais cet appareil s'il ne fonctionne pas correctement ou s'il est tombé ou est endommagé.
- N'utilisez pas et n'arrêtez pas l'appareil en insérant ou en retirant la fiche du cordon d'alimentation.
- N'utilisez pas de produits chimiques dangereux pour nettoyer ou entrer en contact avec l'unité. N'utilisez pas l'appareil en présence de substances inflammables ou de vapeurs telles que de l'alcool, des insecticides, de l'essence, etc.
- Transportez toujours votre climatiseur en position verticale et tenez-vous debout sur une surface stable et plane pendant l'utilisation.
- Contactez toujours une personne qualifiée pour effectuer les réparations. Si le cordon d'alimentation endommagé doit être remplacé par un nouveau cordon d'alimentation fourni par le fabricant du produit et non réparé.
- Tenez la fiche par la tête de la fiche d'alimentation lorsque vous la retirez.
- Éteignez l'appareil lorsqu'il n'est pas utilisé.

GARDEZ CES INSTRUCTIONS!



Consignes de sécurité importantes

LIRE ET SUIVRE TOUTES LES INSTRUCTIONS DE SÉCURITÉ



AVERTISSEMENT pour l'utilisation du réfrigérant R32

- N'utilisez pas de moyens pour accélérer le processus de dégivrage ou pour nettoyer autres que ceux recommandés par le fabricant.
- L'appareil doit être stocké dans une pièce sans sources d'allumage fonctionnant en permanence, par exemple, des flammes nues, un appareil à gaz en fonctionnement ou un radiateur électrique en fonctionnement.
- Ne pas percer ni brûler.
- Sachez que les réfrigérants peuvent ne pas contenir d'odeur.
- L'appareil doit être installé, utilisé et stocké dans une pièce avec une surface au sol en fonction de la quantité de réfrigérant à charger. Pour des informations spécifiques sur le type de gaz et la quantité, veuillez vous référer à l'étiquette correspondante sur l'unité elle-même. Lorsqu'il y a des différences entre l'étiquette et le manuel sur la description de la surface minimale de la pièce, la description sur l'étiquette prévaut.
- Le respect des réglementations nationales en matière de gaz doit être respecté.
- Gardez les ouvertures de ventilation libres de toute obstruction.
- L'appareil doit être stocké de manière à éviter tout dommage mécanique.
- Un avertissement indiquant que l'appareil doit être stocké dans une zone bien ventilée où la taille de la pièce correspond à la zone de la pièce spécifiée pour le fonctionnement.
- Toute personne impliquée dans les travaux sur un circuit de réfrigérant ou son ouverture doit détenir un certificat valide et en cours de validité délivré par une autorité d'évaluation agréée par l'industrie, attestant de sa compétence à manipuler les réfrigérants en toute sécurité, conformément à une spécification d'évaluation reconnue par l'industrie. Toute formation doit respecter les exigences de l'ANNEXE HH de la norme UL 60335-2-40, 4e édition. Exemples de travaux: pénétration dans le circuit frigorifique, ouverture de composants scellés, ouverture d'enceintes ventilées.
- L'entretien ne doit être effectué que selon les recommandations du fabricant. La maintenance et les réparations nécessitant l'assistance d'autres personnes qualifiées doivent être effectuées sous la supervision de la personne compétente dans l'utilisation de réfrigérants inflammables.
- Veuillez suivre attentivement les instructions pour manipuler, installer, nettoyer et entretenir le climatiseur afin d'éviter tout dommage ou danger. Le réfrigérant inflammable R32 est utilisé dans ce climatiseur. Lors de l'entretien ou de la mise au rebut du climatiseur, le réfrigérant doit être récupéré correctement et ne doit pas être autorisé à se décharger directement dans l'air.
- Aucun feu ouvert ou dispositif comme un interrupteur susceptible de générer une étincelle / un arc ne doit se trouver autour du climatiseur pour éviter d'allumer le réfrigérant inflammable utilisé.
- Veuillez suivre attentivement les instructions pour stocker ou entretenir le climatiseur afin d'éviter tout dommage mécanique.
- Le réfrigérant inflammable -R32 est utilisé dans le climatiseur. Veuillez suivre attentivement les instructions pour éviter tout danger. Pour des informations spécifiques sur le type de gaz et la quantité, veuillez consulter l'étiquette correspondante sur l'unité elle-même.
- L'appareil doit être stocké dans une pièce sans flammes nues fonctionnant en continu (par exemple un appareil à gaz en fonctionnement) et sans sources d'inflammation (par exemple un radiateur électrique en fonctionnement).

Transport d'équipements contenant des fluides frigorigènes inflammables : Voir les règlements de transport.

Marquage des équipements à l'aide de panneaux : Voir les réglementations locales.

Élimination de l'équipement utilisant des réfrigérants inflammables : Voir les réglementations nationales.

Stockage des équipements / appareils: Le stockage des équipements doit être conforme aux règlements ou instructions applicables, selon ce qui est le plus strict.

Stockage des équipements emballés (invendus) : La protection de l'emballage de stockage doit être construite de manière à ce que les dommages mécaniques à l'équipement à l'intérieur de l'emballage ne provoquent pas de fuite de la charge de réfrigérant. Le nombre maximum d'équipements pouvant être stockés ensemble sera déterminé par les réglementations locales.

GARDEZ CES INSTRUCTIONS!



Consignes de sécurité importantes

LIRE ET SUIVRE TOUTES LES INSTRUCTIONS DE SÉCURITÉ



Informations sur le service

- 1. Chèques à la région:** Avant de commencer à travailler sur des systèmes contenant des frigorigènes inflammables, des contrôles de sécurité sont nécessaires pour réduire au minimum le risque d'inflammation. Pour réparer le système de réfrigération, les précautions suivantes doivent être respectées avant de procéder à des travaux sur le système.
- 2. Procédure de travail:** Les travaux doivent être effectués selon une procédure contrôlée, de manière à minimiser le risque de présence de gaz ou de vapeurs inflammables pendant l'exécution des travaux.
- 3. Zone de travail générale:** Tout le personnel de maintenance et les autres personnes travaillant dans la zone locale doivent être informés de la nature des travaux effectués. Les travaux dans des espaces confinés doivent être évités. La zone autour de l'espace de travail doit être divisée. Assurez-vous que les conditions dans la zone de travail ont été sécurisées en retirant tout matériau inflammable.
- 4. Vérification de la présence de réfrigérant:** La zone doit être vérifiée avec un détecteur de réfrigérant approprié avant et pendant le travail pour s'assurer que le technicien est conscient des atmosphères potentiellement inflammables. Assurez-vous que l'équipement de détection des fuites utilisé convient aux fluides frigorigènes inflammables, c'est-à-dire qu'il ne produit pas d'étincelles, est correctement scellé et de sécurité intrinsèque.
- 5. Présence d'extincteur:** Si des travaux à chaud doivent être effectués sur l'équipement de réfrigération ou sur toute pièce associée, un équipement d'extinction d'incendie approprié doit être disponible. Avoir un extincteur à poudre sèche ou au CO₂ adjacent à la zone de travail.
- 6. Aucune source d'inflammation:** Aucune personne effectuant des travaux en rapport avec un système de réfrigération impliquant l'exposition de tuyauteries contenant ou ayant contenu un réfrigérant inflammable ne doit utiliser une source d'inflammation de manière à entraîner un risque d'incendie ou d'explosion. Toutes les sources d'inflammation possibles, y compris le tabagisme, doivent être suffisamment éloignées du lieu d'installation, de réparation, de retrait et d'élimination, pendant lesquelles un réfrigérant inflammable peut éventuellement être rejeté dans l'espace environnant. Avant le début des travaux, la zone autour de l'équipement doit être inspectée pour s'assurer qu'il n'y a pas de danger d'inflammabilité ou de risque d'inflammation. Aucun signe de fumer ne doit être affiché.
- 7. Zone ventilée:** Assurez-vous que la zone est à l'air libre ou qu'elle est correctement ventilée avant de pénétrer dans le système ou d'effectuer des travaux à chaud. Une certaine ventilation doit être maintenue pendant la durée des travaux. La ventilation doit disperser en toute sécurité tout fluide réfrigérant libéré et de préférence l'expulser de l'extérieur vers l'atmosphère.
- 8. Contrôles à l'équipement de réfrigération:** Lorsque des composants électriques sont remplacés, ils doivent être adaptés à l'usage prévu et aux spécifications appropriées. Respectez à tout moment les directives du fabricant en matière d'entretien et de maintenance. En cas de doute, consultez le service technique du fabricant. Les contrôles suivants doivent être appliqués aux installations utilisant des réfrigérants inflammables:
 - La taille de la charge est conforme à la taille de la pièce dans laquelle les pièces contenant le réfrigérant sont installées.
 - Les machines de ventilation et les sorties fonctionnent de manière adéquate et ne sont pas obstruées.
 - Si un circuit de réfrigération indirect est utilisé, le circuit secondaire doit être vérifié pour la présence de réfrigérant.
 - Le marquage sur l'équipement continue d'être visible et lisible. Les marques et les signes qui deviennent illisibles doivent être corrigés.
 - Les tuyaux ou composants de réfrigération sont installés dans une position où ils ne risquent pas d'être exposés à une substance susceptible de corroder les composants contenant du réfrigérant, à moins que les composants ne soient construits avec des matériaux intrinsèquement résistants à la corrosion ou protégés de manière adéquate.

GARDEZ CES INSTRUCTIONS!



Consignes de sécurité importantes

LIRE ET SUIVRE TOUTES LES INSTRUCTIONS DE SÉCURITÉ



9. **Contrôles aux appareils électriques:** La réparation et la maintenance des composants électriques doivent inclure les contrôles de sécurité initiaux et les procédures d'inspection des composants. S'il existe un défaut susceptible de compromettre la sécurité, aucune alimentation électrique ne doit être connectée au circuit jusqu'à ce que le problème soit résolu. Si le défaut ne peut pas être corrigé immédiatement mais qu'il est nécessaire de poursuivre le fonctionnement, une solution temporaire adéquate doit être utilisée. Cela doit être signalé au propriétaire de l'équipement afin que toutes les parties soient informées. Les contrôles de sécurité initiaux doivent inclure:
- Que les condensateurs sont déchargés. Ceci doit être fait de manière sûre pour éviter la possibilité d'étincelles.
 - Qu'aucun composant ni câblage électrique sous tension ne soit exposé pendant le chargement, la récupération ou la purge du système.
 - Qu'il existe une continuité de la mise à la terre.

Les composants électriques scellés sont remplacés

10. Lors de la réparation de composants scellés, toutes les alimentations électriques doivent être débranchées de l'équipement utilisé avant toute dépose de couvercles scellés, etc. S'il est absolument nécessaire de prévoir une alimentation électrique de l'équipement pendant l'entretien, une détection des fuites fonctionnant en permanence doit être situé au point le plus critique pour avertir d'une situation potentiellement dangereuse.
11. Afin de garantir qu'en manipulant des composants électriques, le boîtier ne soit pas modifié de telle sorte que le niveau de protection soit affecté, une attention particulière doit être accordée aux éléments suivants:
- Dommages aux câbles, nombre excessif de connexions, bornes non conformes aux spécifications d'origine, dommages aux joints, mauvais montage des presse-étoupes, etc.
 - Assurez-vous que l'appareil est bien monté.
 - Assurez-vous que les joints ou les matériaux d'étanchéité ne se sont pas dégradés de telle sorte qu'ils ne servent plus à empêcher la pénétration d'atmosphères inflammables. Les pièces de rechange doivent être conformes aux spécifications du fabricant.

Remarque: l'utilisation d'un produit d'étanchéité à base de silicone peut nuire à l'efficacité de certains types d'équipement de détection de fuites. Les composants de sécurité intrinsèque ne doivent pas nécessairement être isolés avant de travailler dessus.

Les composants à sécurité intrinsèque doivent être remplacés

N'appliquez aucune charge inductive ou capacitive permanente sur le circuit sans vous assurer que cela ne dépassera pas la tension et le courant autorisés pour l'équipement utilisé. Les composants à sécurité intrinsèque sont les seuls types sur lesquels on peut travailler tout en vivant dans une atmosphère inflammable. L'appareil d'essai doit avoir la cote correcte. Remplacez les composants uniquement par des pièces spécifiées par le fabricant. D'autres pièces peuvent provoquer l'inflammation de réfrigérant dans l'atmosphère par une fuite.

GARDEZ CES INSTRUCTIONS!



Consignes de sécurité importantes

LIRE ET SUIVRE TOUTES LES INSTRUCTIONS DE SÉCURITÉ



Le câblage

Vérifiez que le câblage ne sera pas soumis à l'usure, à la corrosion, à une pression excessive, aux vibrations, aux arêtes vives ou à tout autre effet néfaste sur l'environnement. La vérification doit également prendre en compte les effets du vieillissement ou des vibrations continues provenant de sources telles que les compresseurs ou les ventilateurs.

Détection de réfrigérants inflammables

En aucun cas, des sources d'inflammation potentielles ne doivent être utilisées pour rechercher ou détecter des fuites de réfrigérant. Une lampe à incandescence ou tout autre détecteur utilisant une flamme nue ne doit pas être utilisé. Les méthodes de détection des fuites suivantes sont jugées acceptables pour les systèmes contenant des réfrigérants inflammables.

- Des détecteurs de fuites électroniques doivent être utilisés pour détecter les réfrigérants inflammables, mais la sensibilité peut ne pas être adéquate ou nécessiter un réétalonnage. L'équipement de détection doit être étalonné dans une zone sans réfrigérant. Assurez-vous que le détecteur n'est pas une source potentielle d'inflammation et qu'il convient au réfrigérant utilisé.
- L'équipement de détection de fuites doit être réglé sur un pourcentage de la LF du réfrigérant et doit être calibré avec le réfrigérant utilisé et le pourcentage de gaz approprié (25% maximum) est confirmé.
- Les fluides de détection des fuites peuvent être utilisés avec la plupart des réfrigérants, mais l'utilisation de détergents contenant du chlore doit être évitée car le chlore peut réagir avec le réfrigérant et corroder le cuivre ou les tuyauteries.
- Si une fuite est suspectée, toutes les flammes nues doivent être supprimées ou éteintes.
- Si une fuite de réfrigérant nécessitant un brasage est détectée, tout le réfrigérant doit être récupéré du système ou isolé au moyen de vannes d'arrêt dans une partie du système éloignée de la fuite. L'azote libre d'oxygène (OFN) doit ensuite être purgé à travers le système avant et pendant le processus de brasage.

Enlèvement et évacuation

Lorsque vous pénétrez dans le circuit de fluide frigorigène pour effectuer des réparations ou à toute autre fin, vous devez utiliser des procédures classiques. Cependant, il est important que la meilleure pratique soit suivie car l'inflammabilité est une considération. Les procédures suivantes doivent être respectées:

- Retirer le réfrigérant en toute sécurité en respectant les réglementations locales et nationales;
- Évacuer;
- Purger le circuit avec du gaz inerte (en option pour A2L);
- Évacuer (optionnel pour A2L).
- Rincer ou purger continuellement avec un gaz inerte lors de l'utilisation d'une flamme pour ouvrir le circuit ; et
- Ouvrir le circuit

GARDEZ CES INSTRUCTIONS!



Consignes de sécurité importantes

LIRE ET SUIVRE TOUTES LES INSTRUCTIONS DE SÉCURITÉ



La charge de réfrigérant doit être récupérée dans les bouteilles de récupération appropriées si la ventilation n'est pas autorisée par les codes locaux et nationaux. Pour les appareils contenant des réfrigérants inflammables, le système doit être purgé avec de l'azote sans oxygène pour rendre l'appareil sûr pour les réfrigérants inflammables. Ce processus peut devoir être répété plusieurs fois. L'air comprimé ou l'oxygène ne doivent pas être utilisés pour purger les systèmes de réfrigération.

Pour les appareils contenant des réfrigérants inflammables, la purge des réfrigérants doit être réalisée en cassant le vide dans le système avec de l'azote sans oxygène et en continuant à remplir jusqu'à ce que la pression de travail soit atteinte, puis en ventilant dans l'atmosphère, et enfin en tirant vers le bas jusqu'au vide (optionnel pour A2L). Ce processus doit être répété jusqu'à ce qu'il n'y ait plus de réfrigérant dans le système (optionnel pour A2L). Lorsque la charge finale d'azote sans oxygène est utilisée, le système doit être mis à l'air libre jusqu'à la pression atmosphérique pour permettre le travail.

La sortie de la pompe à vide ne doit pas se trouver à proximité de sources d'inflammation potentielles et une ventilation doit être assurée.

Procédures de charge

Outre les procédures de chargement classiques, les exigences suivantes doivent être respectées:

- Assurez-vous que les différents réfrigérants ne soient pas contaminés lors de l'utilisation d'un équipement de charge. Les tuyaux ou les conduites doivent être aussi courts que possible pour minimiser la quantité de réfrigérant qu'ils contiennent.
- Les bouteilles doivent être maintenues debout.
- Assurez-vous que le système de réfrigération est mis à la terre avant de le charger avec du réfrigérant.
- Étiquetez le système lorsque le chargement est terminé, s'il ne l'est pas déjà.
- Un soin extrême doit être pris pour ne pas trop remplir le système de réfrigération.
- Avant de recharger le système, il doit être testé sous pression avec OFN. Le système doit être soumis à un test d'étanchéité à la fin du chargement mais avant la mise en service. Un contrôle d'étanchéité doit être effectué avant de quitter le site.

GARDEZ CES INSTRUCTIONS!



Consignes de sécurité importantes

LIRE ET SUIVRE TOUTES LES INSTRUCTIONS DE SÉCURITÉ



Déclassement

Avant d'effectuer cette procédure, il est essentiel que le technicien connaisse parfaitement l'équipement dans tous ses détails. Il est recommandé, conformément aux bonnes pratiques, que tous les réfrigérants soient récupérés en toute sécurité. Avant l'exécution de la tâche, un échantillon d'huile et de réfrigérant doit être prélevé au cas où une analyse serait nécessaire avant de réutiliser le réfrigérant récupéré. Il est essentiel que l'alimentation électrique soit disponible avant le début de la tâche.

- A. Se familiariser avec l'équipement et son fonctionnement.
- B. Isoler électriquement le système.
- C. Avant de commencer la procédure, s'assurer que:
 - Un équipement de manutention mécanique est disponible si nécessaire pour manipuler les bouteilles de réfrigérant.
 - Tous les équipements de protection individuelle sont disponibles et utilisés correctement.
 - Le processus de récupération est supervisé à tout moment par une personne compétente.
 - L'équipement de récupération et les bouteilles sont conformes aux normes appropriées.
- D. Si possible, videz le système de réfrigération.
- E. S'il n'est pas possible de faire le vide, fabriquez un collecteur afin que le réfrigérant puisse être retiré des différentes parties du système
- F. Assurez-vous que la bouteille se trouve sur la balance avant de procéder à la récupération.
- G. Démarrez la machine de récupération et utilisez-la conformément aux instructions du fabricant
- H. Ne pas trop remplir les bouteilles. La charge de liquide ne doit pas dépasser 80 % du volume
- I. Ne pas dépasser la pression de service maximale de la bouteille, même temporairement
- J. Lorsque les bouteilles ont été correctement remplies et que le processus est terminé, veillez à ce que les bouteilles et l'équipement soient rapidement retirés du site et que toutes les vannes d'isolation de l'équipement soient fermées
- K. Le réfrigérant récupéré ne doit pas être chargé dans un autre système de réfrigération s'il n'a pas été nettoyé et vérifié

Étiquetage

L'équipement doit porter une étiquette indiquant qu'il a été mis hors service et vidé du réfrigérant. L'étiquette doit être datée et signée. Assurez-vous qu'il y a des étiquettes sur l'équipement indiquant que celui-ci contient du réfrigérant inflammable.

GARDEZ CES INSTRUCTIONS!



Consignes de sécurité importantes

LIRE ET SUIVRE TOUTES LES INSTRUCTIONS DE SÉCURITÉ



Récupération

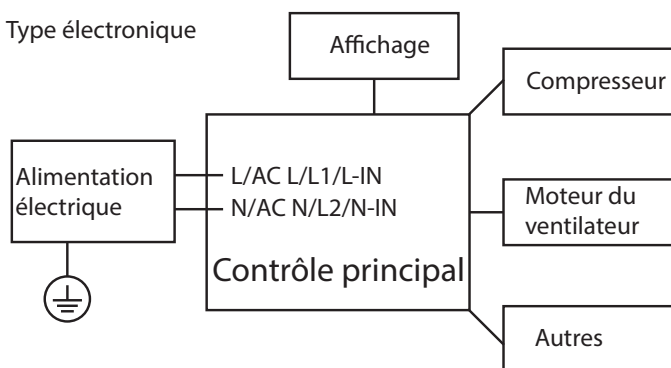
Lorsque vous retirez du fluide frigorigène d'un système, que ce soit pour un entretien ou une mise hors service, il est recommandé de procéder à l'élimination de tous les fluides frigorigènes en toute sécurité.

Lors du transfert du réfrigérant dans les bouteilles, assurez-vous que seul le récupérateur approprié récupère les bouteilles. Assurez-vous que le nombre correct de cylindres permettant de contenir la charge totale du système est disponible. Tous les cylindres à utiliser sont conçus pour le réfrigérant récupéré et étiquetés pour ce réfrigérant, c'est-à-dire des cylindres spéciaux pour la récupération du réfrigérant. Les bouteilles doivent être équipées d'une soupape de surpression et des vannes d'arrêt associées en bon état de fonctionnement. Les bouteilles de récupération vides sont évacuées et, si possible, refroidies avant la récupération.

L'équipement de récupération doit être en bon état de fonctionnement, avec un ensemble d'instructions concernant l'équipement disponible et doit être adapté à la récupération des réfrigérants inflammables. En outre, un jeu de balances étalonnées doit être disponible et en bon état de fonctionnement. Les flexibles doivent être complets avec des raccords débranchés sans fuite et en bon état. Avant d'utiliser la machine de récupération, vérifiez qu'elle est en bon état de fonctionnement, correctement entretenue et que tous les composants électriques associés sont scellés pour éviter toute inflammation en cas de fuite du réfrigérant. Consultez le fabricant en cas de doute.

Le fluide frigorigène récupéré doit être renvoyé au fournisseur de fluide frigorigène dans la bouteille de récupération appropriée et la note de transfert de déchets correspondante doit être préparée. Ne mélangez pas les réfrigérants dans les unités de récupération et en particulier dans les bouteilles. Si des compresseurs ou des huiles de compresseurs doivent être éliminés, assurez-vous qu'ils ont été évacués à un niveau acceptable pour vous assurer que le réfrigérant inflammable ne reste pas dans le lubrifiant. Le processus d'évacuation doit être effectué avant de renvoyer le compresseur aux fournisseurs. Seul un chauffage électrique du corps du compresseur doit être utilisé pour accélérer ce processus. Lorsque l'huile est vidangée d'un système, elle doit être effectuée en toute sécurité.

Type électronique



AVERTISSEMENT : Avant d'effectuer des travaux électriques ou de câblage, coupez l'alimentation principale du système

REMARQUE : Veuillez respecter strictement l'étiquette de câblage jointe à la machine pour toutes les connexions électriques. Le schéma de câblage peut varier d'un appareil à l'autre. Veuillez vous référer au schéma de câblage de la machine que vous avez achetée. Le schéma de câblage ci-dessus est une version simplifiée à des fins d'illustration préliminaire uniquement.

GARDEZ CES INSTRUCTIONS!

INSTRUCTIONS D'INSTALLATION

ACCESSOIRES

1. Adaptateur de sortie d'air
2. Module adaptateur d'échappement A
3. Module adaptateur d'échappement B
4. Module adaptateur d'échappement C
5. Vis d'adaptateur d'échappement
6. Curseur de fenêtre A
7. Curseur de fenêtre B
8. Curseur de fenêtre C
9. Boulons de glissière de fenêtre (x4)
10. Joint en mousse A (adhésif) (x2)
11. Joint en mousse B (adhésif) (x2)
12. Joint en mousse C (non adhésif) (x2)
13. Support de sécurité et 2 vis
14. Tuyau de drainage
15. Télécommande et piles
16. Boucle du cordon d'alimentation

REMARQUE :

L'adaptateur et les joints courts en mousse sont situés sur le dessus de la mousse, à l'intérieur du carton.

Deux roulettes supplémentaires sont fournies en cas de dommages survenus pendant le transport.

OUTILS REQUIS

1. Tournevis Phillips de taille moyenne
2. Ruban à mesurer ou règle
3. Couteau ou ciseaux
4. Scie (dans le cas où les curseurs de fenêtre doivent être coupés en taille)

AVERTISSEMENT IMPORTANT

Ne laissez pas cet appareil sans surveillance dans un espace où se trouvent des personnes ou des animaux qui ne peuvent pas réagir à un dysfonctionnement. Un dysfonctionnement tel que le tuyau d'échappement se disloque, peut provoquer une surchauffe extrême ou la mort dans un espace clos et sans surveillance.

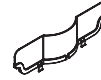
①



②



③



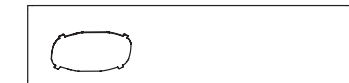
④



⑤



⑥



⑦



⑧



⑨



⑩



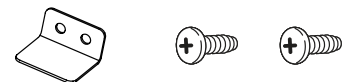
⑪



⑫



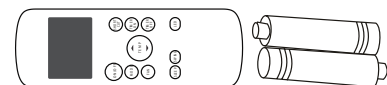
⑬



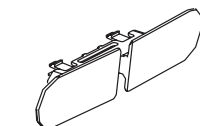
⑭



⑮



⑯

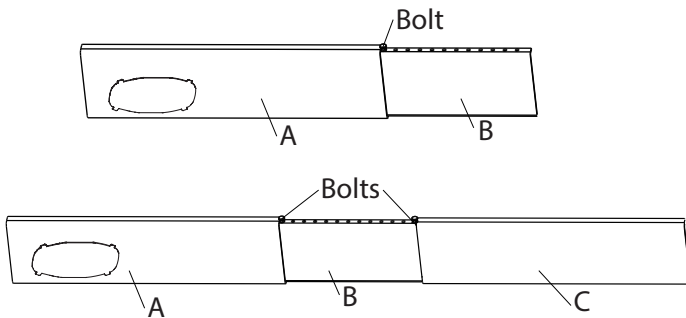


INSTRUCTIONS D'INSTALLATION

ASSEMBLAGE DU KIT DE FENÊTRE

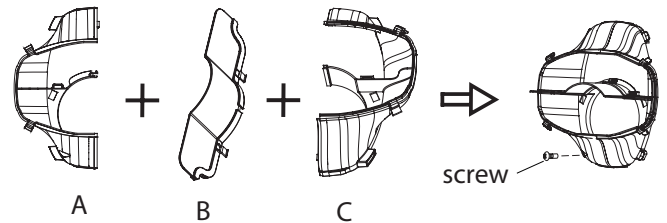
Première étape: préparer les curseurs de fenêtre

1. Mesurez l'ouverture de la fenêtre où le kit de fenêtre sera installé.
2. Assemblez autant de curseurs que nécessaire pour s'adapter à la fenêtre. Si l'ouverture de la fenêtre est inférieure à la longueur minimale d'un seul curseur, utilisez le curseur contenant le trou et coupez-le à la bonne longueur. Assurez-vous de ne pas couper l'extrémité qui a le trou car cela est nécessaire pour fixer l'adaptateur du tuyau d'échappement.
3. Utilisez les boulons de glissière de fenêtre pour fixer les glissières de fenêtre à la bonne longueur.



Deuxième étape: préparer l'adaptateur d'échappement (pour les applications de fenêtres coulissantes en option)

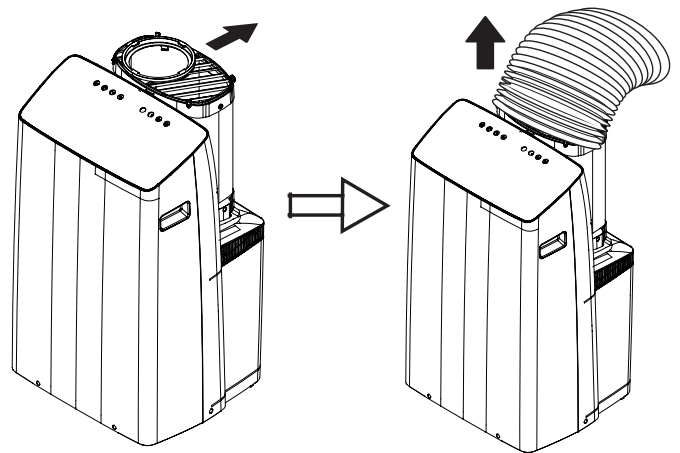
Assemblez le module d'adaptateur d'échappement pour les fenêtres coulissantes à l'aide de la vis d'adaptateur d'échappement comme illustré. Le curseur de la fenêtre est excentrique, l'adaptateur d'échappement doit donc être installé loin du mur.



TUYAU D'ÉCHAPPEMENT

Retirez le tuyau

1. Faites pivoter doucement le tuyau d'échappement vers l'arrière.
2. Retirez le tuyau d'échappement.

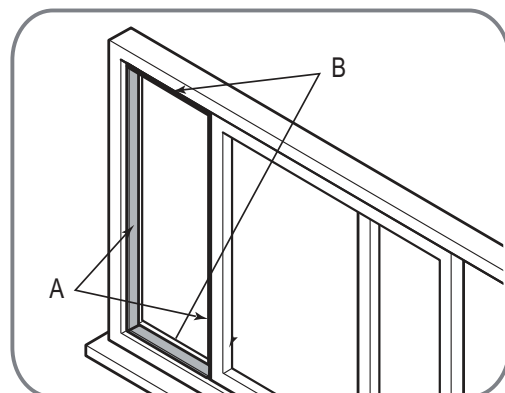
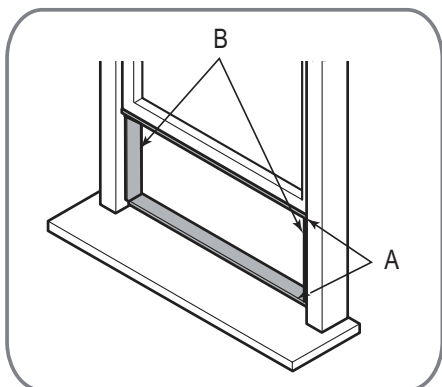


INSTRUCTIONS D'INSTALLATION

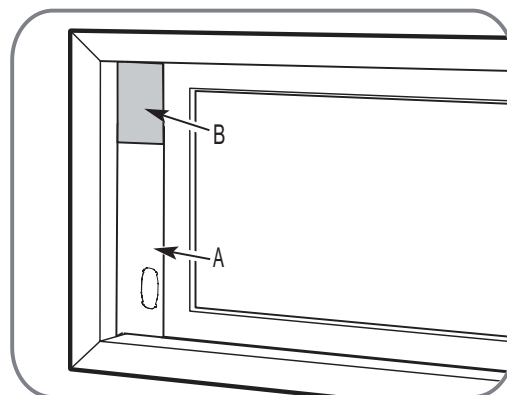
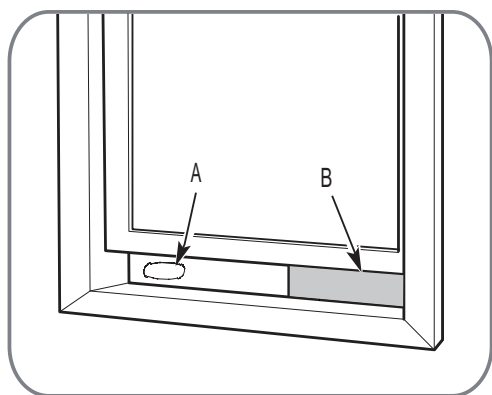
INSTALLATION DU KIT WINDOW

Les instructions ci-dessous peuvent être utilisées pour une application de fenêtre suspendue (illustrée à gauche) ou une application optionnelle de fenêtre coulissante (illustrée à droite).

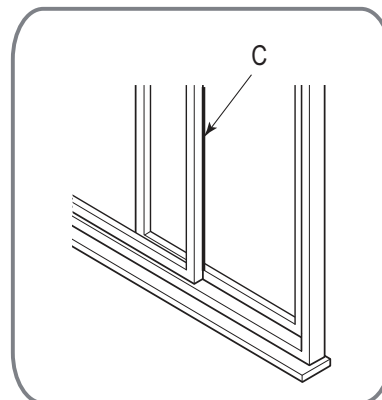
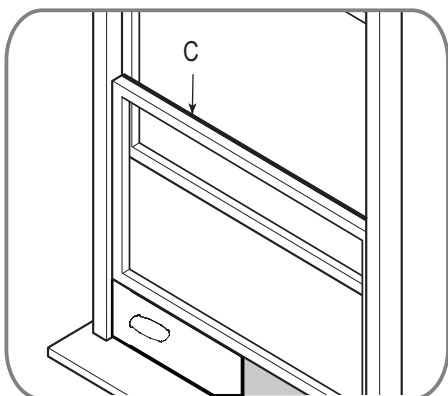
1. Coupez les joints adhésifs en mousse A et B à la bonne longueur et fixez-les au cadre de la fenêtre comme illustré.



2. Insérez le kit de glissière de fenêtre dans l'ouverture de la fenêtre et fermez la fenêtre en la fixant en place.

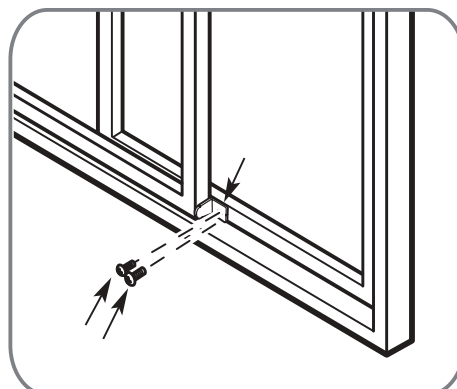
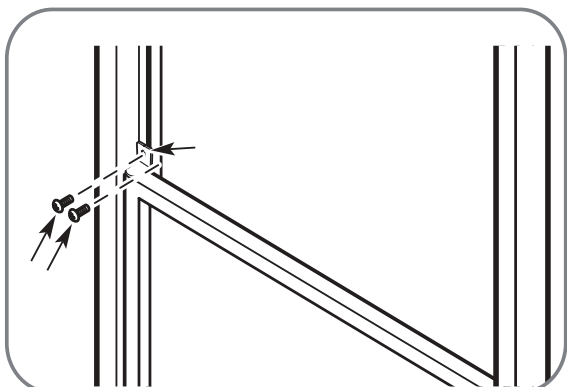


3. Coupez le joint en mousse non adhésive C pour qu'il corresponde à la largeur ou à la hauteur de la fenêtre et insérez-le entre les vitres comme illustré pour empêcher l'air extérieur de pénétrer dans la fenêtre.

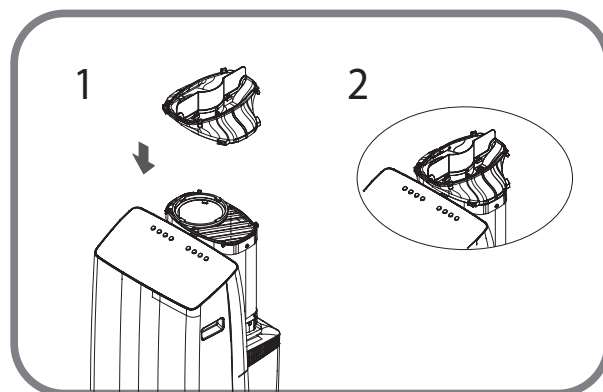
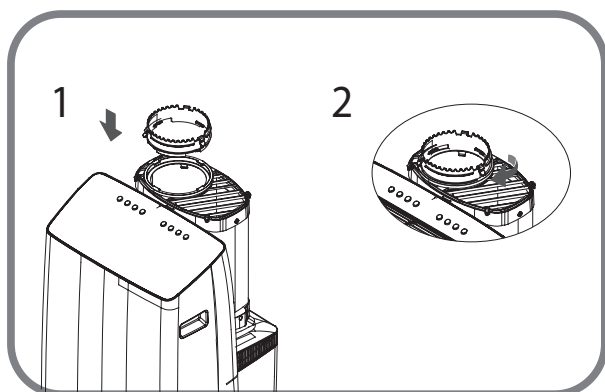


INSTRUCTIONS D'INSTALLATION

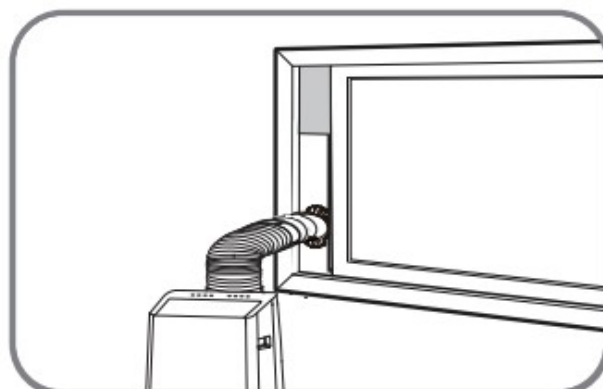
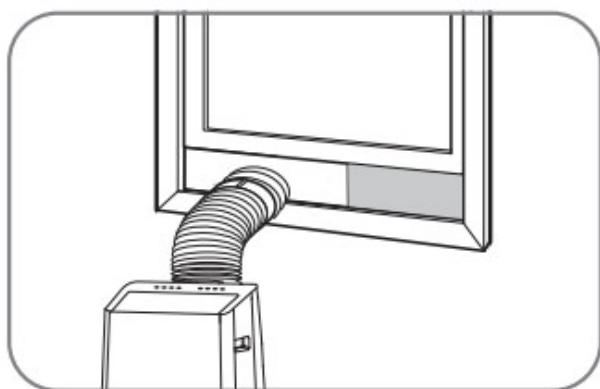
4. Si vous le souhaitez, installez le support de sécurité avec 2 vis comme illustré.



5. Pour une fenêtre à guillotine, fixez l'adaptateur de sortie d'air sur le tuyau d'échappement et faites-le pivoter de 90° pour le fixer en place. Pour une fenêtre coulissante, fixez l'adaptateur d'échappement sur le tuyau d'échappement.



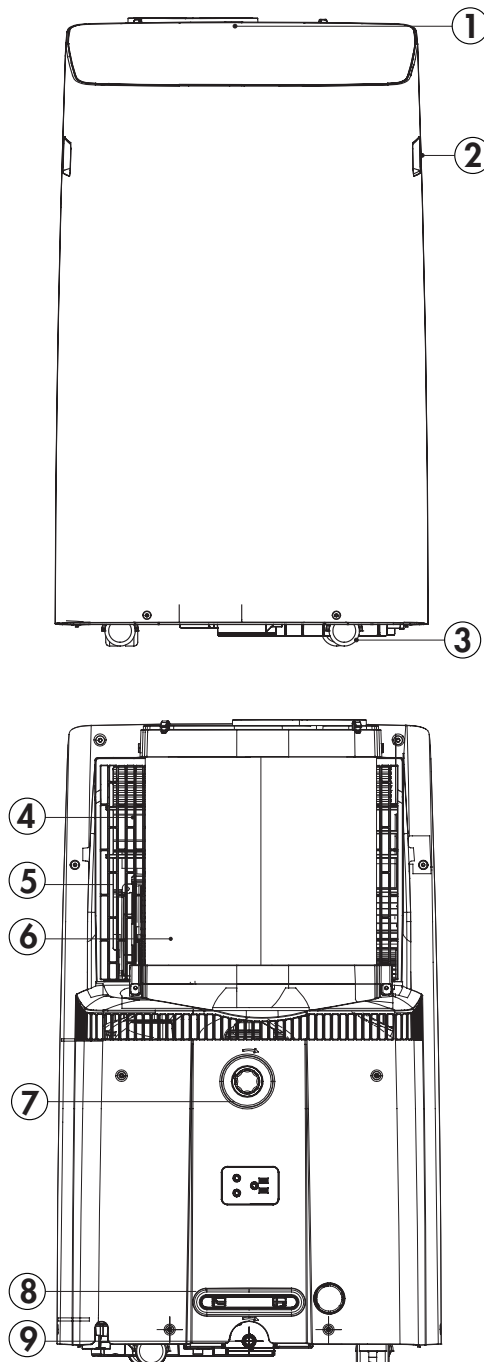
6. Pour une fenêtre à guillotine, fixez l'adaptateur de sortie d'air sur le kit de glissière de fenêtre. Pour une fenêtre coulissante, fixez l'adaptateur d'échappement sur le kit de glissière de fenêtre.



INSTRUCTIONS D'UTILISATION

FONCTIONNALITÉS

1. Panneau de configuration
2. Poignée (des deux côtés)
3. Roulettes
4. Filtre à air supérieur
5. Prise d'air supérieure
6. Tuyau d'échappement
7. Vidange continue
8. Bande de rangement du cordon d'alimentation
9. Drain du bac inférieur



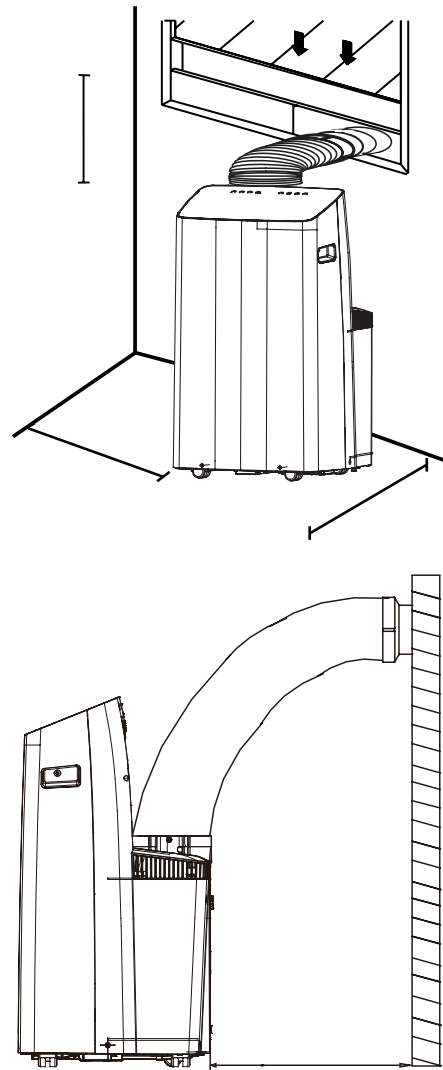
EMPLACEMENT

Placez le climatiseur sur un sol lisse et de niveau suffisamment solide pour le supporter ainsi que tous les accessoires inclus. Assurez-vous qu'il est de niveau pour minimiser le bruit et les vibrations.

Le climatiseur doit être installé à proximité d'une prise de courant mise à la terre et la sortie de trop-plein à l'arrière doit être accessible.

Ne couvrez pas les entrées ou les sorties d'air ou le récepteur de la télécommande sur le panneau de commande.

Le climatiseur nécessite 25 cm (10 pouces) d'espace sur les côtés et à l'arrière pour une bonne circulation de l'air. La lame du volet doit être à 50 cm (20 pouces) des obstacles.



INSTRUCTIONS D'UTILISATION

PANNEAU DE CONTRÔLE

- Bouton Swing et connexion sans fil :**
 - Appuyez sur pour démarrer la fonction d'oscillation automatique.
 - Appuyez et maintenez pendant trois secondes pour commencer à utiliser la fonction de connexion sans fil.
- Bouton Minuterie :** Appuyez pour régler la minuterie automatique. La lumière indiquera si une minuterie est réglée.
- Bouton Mode :** Appuyez pour sélectionner le mode souhaité. La lumière indiquera le mode actuel.
- Boutons de contrôle de la température :**
 - Appuyez sur pour modifier la température de consigne par incréments de 1° dans une plage de 16 à 30°C (60 à 86°F).
 - Appuyez sur pour modifier le réglage de la minuterie par incréments de 0,5 heure jusqu'à 10 heures, puis par incréments de 1 heure jusqu'à 24 heures.
 - Appuyez sur les deux boutons de contrôle de la température et maintenez-les enfoncés pendant trois secondes pour modifier l'affichage de la température de °C à °F.
- Affichage LED:**
 - Affiche la température réglée en °C ou °F.
 - Affiche les paramètres de la minuterie.
 - Affiche les codes d'erreur.
 - En mode ventilateur, affiche la température ambiante.
- Bouton ventilateur :**
 - Appuyez pour sélectionner la vitesse du ventilateur. La lumière indiquera la vitesse actuelle.
 - Appuyez et maintenez pendant 3 secondes pour allumer ou éteindre le ventilateur continu.
- Bouton veille et filtre :**
 - Appuyez sur pour démarrer la fonction de veille.
 - Le voyant du filtre s'allumera après 250 heures d'utilisation pour vous rappeler de nettoyer le filtre ; pour réinitialiser le filtre après le nettoyage, appuyez sur le bouton de veille et maintenez-le enfoncé pendant trois secondes.
- Bouton d'alimentation :** Appuyez pour allumer ou éteindre l'appareil.

MODES DE FONCTIONNEMENT

Mode refroidissement

- Choisissez le mode refroidissement pour régler la fonction de refroidissement.
- Utilisez les boutons de contrôle de la température pour choisir la température souhaitée.
- Utilisez le bouton du ventilateur pour choisir la vitesse de ventilateur souhaitée.
- La température peut être réglée dans une plage de 16 à 30 °C (60 à 86 °F).
- Le tuyau d'évacuation doit être installé.

Mode sec

- Choisissez le mode sec pour éliminer l'excès d'humidité de l'air. L'eau se condensera à l'intérieur de l'appareil et s'écoulera par l'arrière.
- Le niveau d'humidité et la vitesse du ventilateur seront réglés automatiquement et ne peuvent pas être modifiés en mode sec.
- L'écran affichera la température ambiante actuelle.
- Le tuyau d'échappement n'a pas besoin d'être connecté au kit de fenêtre.
- Il peut être nécessaire d'installer le tuyau de vidange continu pendant le mode sec pour éliminer l'excès d'eau.

Mode ventilateur

- Le mode ventilateur peut être utilisé pour faire fonctionner le ventilateur sans activer les fonctions de refroidissement ou de déshumidification.
- Utilisez le bouton du ventilateur pour choisir la vitesse de ventilateur souhaitée.
- Le tuyau d'échappement n'a pas besoin d'être connecté au kit de fenêtre.
- En mode refroidissement ou déshumidification, maintenez le bouton du ventilateur enfoncé pendant 3 secondes pour que le ventilateur fonctionne en continu. Appuyez sur le bouton du ventilateur et maintenez-le enfoncé pendant 3 secondes pour désactiver le ventilateur continu. Pendant le fonctionnement normal, le ventilateur s'allumera et s'éteindra avec le compresseur.

Mode automatique

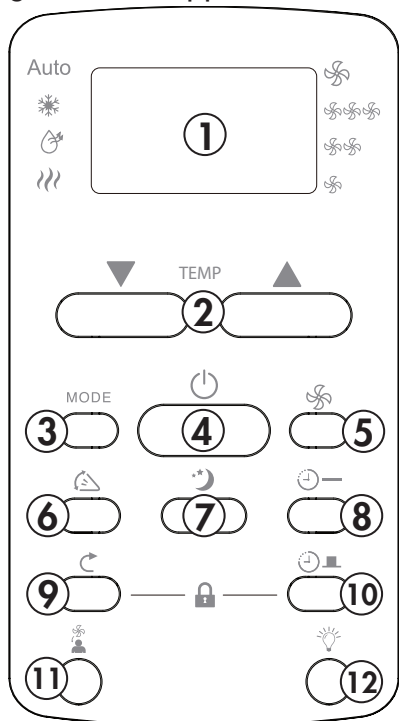
Le mode automatique est un programme d'usine pré-réglé qui choisit automatiquement entre le mode refroidissement ou ventilateur et règle la vitesse du ventilateur en fonction de la température réglée et de la température ambiante. Le tuyau d'échappement doit être installé en mode automatique.



INSTRUCTIONS D'UTILISATION

TÉLÉCOMMANDE

1. **Affichage LED** : Affiche la température définie ou les paramètres de la minuterie automatique. Indique si Suivez-moi est actif.
2. **Boutons de contrôle de la température** : Utilisés pour régler la température. Appuyez sur les deux boutons de contrôle de la température et maintenez-les enfoncés pendant 3 secondes pour modifier l'affichage de la température de °C à °F.
3. **Bouton Mode** : Appuyez pour sélectionner le mode souhaité.
4. **Bouton d'alimentation** : Appuyez pour allumer ou éteindre.
5. **Bouton ventilateur** : Appuyez pour sélectionner la vitesse du ventilateur.
6. **Bouton Swing** : Appuyez pour démarrer la fonction de swing automatique. Lorsque l'oscillation automatique est activée, appuyez à nouveau pour arrêter le volet à l'angle souhaité.
7. **Bouton Veille** : Appuyez pour démarrer la fonction de veille.
8. **Bouton de mise en marche de la minuterie** : Appuyez pour régler la minuterie de mise en marche automatique.
9. **Bouton Raccourci** : Appuyez pour définir et activer la fonction Raccourci.
10. **Bouton d'arrêt de la minuterie** : Appuyez pour régler la minuterie d'arrêt automatique.
11. **Bouton Suivez-moi** : Appuyez pour activer le bouton Suivez-moi.
12. **Bouton LED** : Appuyez pour allumer ou éteindre l'affichage LED de l'appareil.



Remarque : Ce modèle n'inclut pas le mode chauffage.

REPLACEMENT DES PILES

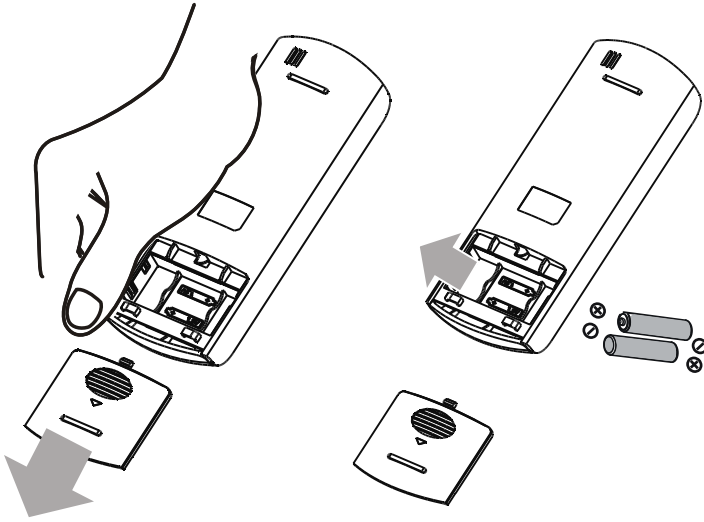
Ce climatiseur est livré avec deux piles AAA. Placez les piles dans la télécommande avant utilisation.

1. Faites glisser le couvercle arrière de la télécommande vers le bas pour exposer le compartiment des piles.
2. Insérez les piles, assurez-vous de faire correspondre les symboles (+) et (-) aux extrémités des piles avec les symboles à l'intérieur du compartiment des piles.
3. Remettez le couvercle de la batterie en place.

Remarques :

- Le climatiseur ne répondra pas si des rideaux ou d'autres éléments bloquent le signal de la télécommande vers le climatiseur.
- Si le récepteur infrarouge du panneau de commande est exposé à la lumière directe du soleil, le signal de la télécommande peut ne pas être reçu correctement. Utilisez des rideaux pour empêcher la lumière du soleil de tomber sur le récepteur.
- Ne mélangez pas des piles anciennes et neuves ou des piles de types différents.
- Ne laissez pas les piles dans la télécommande si elle ne va pas être utilisée pendant plus de 2 mois.
- Retirez rapidement les piles usagées. Remplacez toutes les piles d'un jeu en même temps.
- Nettoyez les contacts des piles ainsi que ceux de l'appareil avant d'installer les piles.
- La télécommande fonctionne dans un rayon de 8 mètres du récepteur situé à l'intérieur de l'appareil principal. Tout obstacle entre le récepteur et la télécommande peut provoquer des interférences, limitant ainsi la possibilité de programmer l'appareil principal.

INSTRUCTIONS D'UTILISATION



IMPORTANT

Ne pas jeter les piles en tant que déchets municipaux non triés. Reportez-vous aux lois locales pour l'élimination correcte des piles.

RÈGLEMENT SUR LA TÉLÉCOMMANDE

Cet équipement a été testé et déclaré conforme aux limites d'un appareil numérique de classe B, conformément à la partie 15 des règles de la FCC. Ces limites sont conçues pour fournir une protection raisonnable contre les interférences nuisibles dans une installation résidentielle. Cet équipement génère, utilise et peut émettre de l'énergie de fréquence radio et, s'il n'est pas installé et utilisé conformément aux instructions, peut causer des interférences nuisibles aux communications radio. Cependant, il n'y a aucune garantie que des interférences ne se produiront pas dans une installation particulière.

Si cet équipement cause des interférences nuisibles à la réception radio ou télévision, ce qui peut être déterminé en éteignant et en rallumant l'équipement, l'utilisateur est encouragé à essayer de corriger l'interférence par une ou plusieurs des mesures suivantes :

1. Réorienter ou déplacer l'antenne de réception
2. Augmenter la distance entre l'équipement et le récepteur
3. Connectez l'équipement à une prise sur un circuit différent de celui auquel le récepteur est connecté
4. Consultez le revendeur ou un technicien radio/

- TV expérimenté pour obtenir de l'aide
5. Les changements ou modifications non approuvés par la partie responsable de la conformité FCC et Industrie Canada pourraient annuler l'autorité de l'utilisateur à faire fonctionner l'équipement.

Cet appareil est conforme à la partie 15 des règles de la FCC.

Le fonctionnement est soumis aux conditions suivantes :

1. Cet appareil ne doit pas provoquer d'interférences.
2. Cet appareil doit accepter toute interférence reçue, y compris les interférences susceptibles de provoquer un fonctionnement indésirable.

Cet appareil est conforme à la norme canadienne CAN ICES-003(B)/NMB-003(B)

DÉCLARATION DE CONFORMITÉ DU FOURNISSEUR

47 CFR § 2.1077 Informations de conformité

Identifiant unique : Danby, RG51F(2)/EF, RG51F(2)/EF-B

Coordonnées de la partie responsable aux États-Unis :

Danby Products Inc.
1800 Production Drive
Findlay, OH
45840

Numéro de téléphone ou coordonnées Internet :
Danby.com

Déclaration de conformité FCC : Cet appareil est conforme à la partie 15 des règles FCC. Le fonctionnement est soumis aux conditions suivantes :

1. Cet appareil ne doit pas provoquer d'interférences.
2. Cet appareil doit accepter toute interférence reçue, y compris les interférences susceptibles de provoquer un fonctionnement indésirable.

INSTRUCTIONS D'UTILISATION

MINUTEUR

Arrêt automatique

1. Lorsque le climatiseur est allumé, appuyez sur le bouton de la minuterie pour activer la minuterie d'arrêt automatique.
2. Appuyez sur les boutons de contrôle de la température pour modifier l'heure réglée par incréments de 0,5 heure jusqu'à 10 heures, puis par incréments de 1 heure jusqu'à 24 heures.

Marche automatique

1. Lorsque le climatiseur est éteint, appuyez sur le bouton de minuterie pour activer la minuterie de mise en marche automatique.
2. Appuyez sur les boutons de contrôle de la température pour modifier l'heure réglée par incréments de 0,5 heure jusqu'à 10 heures, puis par incréments de 1 heure jusqu'à 24 heures.

La minuterie n'allumera et éteindra pas indéfiniment le climatiseur. Les minuteries de mise en marche et d'arrêt automatiques fonctionneront une fois, puis le climatiseur reviendra au fonctionnement normal.

Lors du réglage de la minuterie, l'affichage reviendra à l'affichage de la température s'il n'y a pas d'entrée dans les 5 secondes.

Éteignez le climatiseur, réglez la minuterie sur 0 ou appuyez sur le bouton de la minuterie et maintenez-le enfoncé pendant 3 secondes pour éteindre la minuterie.

RACCOURCI

Le raccourci peut être utilisé pour enregistrer un réglage favori. Réglez le climatiseur à la température et à la vitesse de ventilation souhaitées. Appuyez et maintenez enfoncé le bouton de raccourci pendant 2 secondes. Appuyez sur le bouton de raccourci à tout moment à l'avenir pour revenir au réglage favori. Le raccourci n'est disponible que sur la télécommande.

Si aucun raccourci n'est défini, appuyer sur le bouton de raccourci réglera le climatiseur pour qu'il fonctionne en mode automatique à 29 °C (79 °F), avec la vitesse du ventilateur réglée sur automatique.

SOMMEIL

La fonction de sommeil peut être utilisée pour économiser de l'énergie pendant les heures de sommeil. Cette fonction peut être utilisée en mode refroidissement et chauffage. Il n'est pas disponible en mode sec ou ventilateur.

La température augmentera de 1 degré toutes les 30 minutes pendant 1 heure. L'appareil maintiendra la nouvelle température pendant 7 heures.

La fonction de veille peut être annulée à tout moment en appuyant sur le bouton de veille.

SUIVEZ-MOI

Il y a un capteur de température intégré dans la télécommande qui recueillera en permanence la température ambiante actuelle. Gardez la télécommande avec vous et l'appareil ajustera automatiquement la température réglée en fonction de la température actuelle où vous vous trouvez pour atteindre la condition la plus confortable.

Appuyez sur le bouton suivez-moi pour activer la fonction. La télécommande enverra un signal au climatiseur toutes les 3 minutes, tant que vous restez à portée de l'appareil.

Si l'appareil ne reçoit pas de signal de la télécommande pendant un intervalle de 7 minutes, il émettra un bip pour indiquer que suivez-moi est terminé.

La distance maximale pour la fonction Suivez-moi est de 8 mètres (26 pieds). Cette fonction est disponible dans les modes froid et automatique.

INSTRUCTIONS D'UTILISATION

REDÉMARRAGE AUTOMATIQUE

Si le climatiseur perd de l'alimentation de façon inattendue, il reprendra les réglages précédents une fois l'alimentation rétablie.

Lorsque le climatiseur a été éteint, il ne peut pas être redémarré pendant 3 minutes pour protéger les composants internes.

AJUSTEMENT DES PERSIENNES

Lorsque le climatiseur est allumé, le volet s'ouvre complètement.

Appuyez sur le bouton d'oscillation pour être le mouvement du volet. Le volet oscillera automatiquement de haut en bas. Appuyez à nouveau sur le bouton d'oscillation pour arrêter l'oscillation automatique du volet.

Veuillez ne pas régler le volet manuellement.

CONNEXION SANS FIL

Ce climatiseur peut être contrôlé avec une application sans fil sur votre appareil sans fil. Consultez le manuel sans fil inclus dans le sac d'accessoires pour plus d'informations.

- Appuyez sur le bouton Swing et maintenez-le enfoncé pendant 3 secondes pour activer la connexion sans fil. "AP" s'affiche à l'écran lorsque l'appareil est en mode de connexion sans fil.
- Appuyez et maintenez enfoncé le bouton pivotant et le bouton de diminution de la température pendant 3 secondes pour désactiver le mode de connexion sans fil.

ÉVACUATION DE L'EAU

Assurez-vous que le climatiseur est éteint et débranché et qu'il se trouve à proximité d'un siphon de sol avant de configurer toute option de vidange.

1. Bouchon de vidange

Lorsque le bac de vidange interne est plein, l'appareil émettra 8 bips et l'affichage numérique affichera le code d'erreur P1. L'action de climatisation ou de déshumidification s'arrêtera mais le ventilateur pourra continuer à fonctionner.

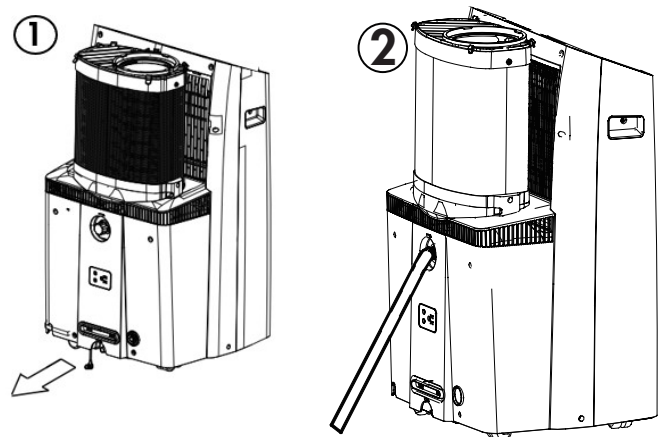
Retirez le bouchon de vidange et laissez l'eau s'écouler complètement. Remplacez le bouchon de vidange inférieur, en appuyant fermement pour assurer un ajustement serré et aucune fuite.

2. Vidange continue

En mode sec, vous pouvez installer une option de vidange continue afin que le climatiseur vidange automatiquement l'eau collectée.

Retirez le bouchon de vidange supérieur et fixez le tuyau de vidange fourni avec le climatiseur. Placez l'extrémité ouverte du tuyau de vidange sur le réceptacle dans lequel il se vidangera ; il peut s'agir d'un siphon de sol de sous-sol, d'un évier ou similaire.

Assurez-vous qu'il n'y a pas de plis ou de coudes dans le tuyau de vidange et qu'il descend directement vers le sol. La vidange continue est activée uniquement par gravité. Si le tuyau n'est pas positionné directement vers le bas, l'eau ne s'écoulera pas correctement.



NETTOYAGE

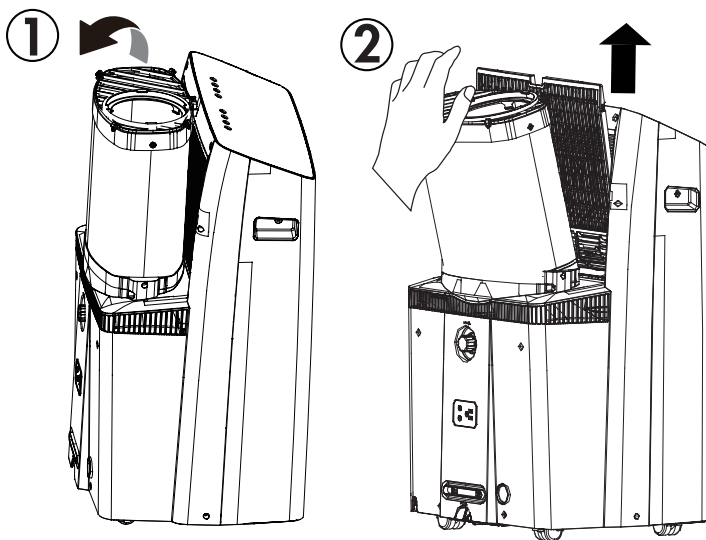
- Débranchez l'appareil avant de le nettoyer ou de l'entretenir.
- Nettoyez l'armoire avec un chiffon humide tiède et un détergent neutre. Séchez l'armoire avec un chiffon sec sans peluches.
- N'utilisez pas d'essence, de diluant ou d'autres produits chimiques pour nettoyer l'appareil.
- Ne lavez pas l'appareil directement sous un robinet ou à l'aide d'un tuyau. Cela peut causer des dommages électriques.

FILTRES D'AIR

Le filtre à air doit être nettoyé toutes les deux semaines pour assurer une performance efficace. Dans les ménages avec des animaux, les filtres à air peuvent avoir besoin d'être nettoyés plus souvent et les grilles externes peuvent avoir besoin d'être essuyées pour empêcher le flux d'air bloqué.

Pour accéder au filtre:

1. Tenez le tuyau d'échappement, poussez-le légèrement vers l'arrière, puis soulevez-le.
2. Retirez le filtre.



ENTREPOSAGE À LONG TERME

1. Égouttez toute l'eau de l'appareil.
2. Faites fonctionner l'appareil sur le mode Ventilateur pendant une demi-journée dans une pièce chaude pour sécher l'intérieur de l'appareil et empêcher la formation de moisissure.
3. Éteignez l'appareil et débranchez-le, enrroulez le cordon et collez-le avec du ruban adhésif.
4. Retirez les piles de la télécommande.
5. Nettoyez les filtres à air et réinstallez-les.
6. Conservez l'appareil est un endroit frais et sombre. Une exposition prolongée à la lumière directe du soleil ou à une chaleur extrême peut raccourcir la durée de vie de l'appareil.

DISPOSITION

Cet appareil ne doit pas être considéré comme un ordures ménagères. Vérifiez la conformité réglementaire locale concernant l'élimination approuvée et sûre de cet appareil.

CODES D'ERREUR

P1 - le bac à eau est plein - fixer le tuyau de vidange et vidanger l'excès d'eau

EC52 : panne du capteur T3 de température du tube extérieur

EC54 : panne du capteur de température d'échappement extérieur

EH61 : panne du capteur T2 de température du tube intérieur

Si un autre code d'erreur apparaît sur l'écran, débranchez le climatiseur et laissez-le reposer sans être dérangé pendant 5 minutes. Si le code d'erreur persiste lorsque l'appareil est rebranché, veuillez contacter le service client.

QUESTIONS FRÉQUEMMENT POSÉES

Puis-je laisser mon climatiseur en place pendant l'hiver?

Non, il n'est pas recommandé de laisser le kit de fenêtre en place pendant l'hiver.

Quelle est la puissance électrique?

Ces informations se trouvent sur la plaque signalétique située sur le côté de l'appareil.

Puis-je utiliser une rallonge?

Non, une rallonge ne peut pas être utilisée.

Quand dois-je utiliser le tuyau d'évacuation?

Le tuyau d'échappement doit être utilisé en modes froid, chaud et automatique. Il n'est pas nécessaire dans les modes ventilateur et sec.

Puis-je prolonger la longueur du tuyau d'échappement?

Non, l'allongement de la longueur du tuyau d'évacuation peut en fait rendre le climatiseur moins efficace. Utilisez plutôt un ventilateur supplémentaire pour souffler l'air frais vers d'autres endroits.

Quand dois-je utiliser le tuyau de vidange?

Le tuyau de vidange doit être utilisé en mode chauffage, en mode séchage ou en cas d'utilisation de la vidange continue.

D'où évacuer l'eau?

Il existe deux options de vidange différentes sur ce climatiseur, veuillez vous référer à la section de vidange d'eau.

DÉPANNAGE

Le climatiseur ne fonctionnera pas

- La fiche n'est pas complètement insérée dans la prise murale.
- Fusible ou disjoncteur grillé.

Refroidissement insuffisant

- Le filtre à air est sale.
- Flux d'air bloqué.
- La taille de l'appareil est trop petite pour l'application.

Bruit

- Le sol n'est pas de niveau.
- Le filtre à air est sale ou bouché.
- Les bruits de gargouillis sont normaux, c'est du liquide de refroidissement qui se déplace à l'intérieur de l'appareil.

Odeurs

- Habituellement causé par la formation de moisissures ou de mildiou sur les surfaces humides internes.
- Assurez-vous que le filtre est propre.
- Faites fonctionner le climatiseur en mode ventilateur pour éliminer toute humidité interne.
- Vérifiez s'il y a des blocages dans les conduites de vidange et assurez-vous qu'il n'y a pas d'obstructions.
- Placer une pastille d'algicide dans le bac de base; assurez-vous que l'appareil est débranché, retirez la grille supérieure et le filtre, placez la pastille dans le bac à eau du milieu et replacez la grille et le filtre

AP affiché à l'écran

- AP signifie "point d'accès" et est lié à la fonction de connexion sans fil.
- Si vous n'allez pas utiliser une connexion sans fil, appuyez et maintenez le bouton pivotant et la flèche vers le bas pendant 3 secondes pour désactiver le mode de connexion sans fil AP.
- Le mode AP disparaîtra automatiquement après 8 minutes.

Garantie limitée “à domicile”

Cet appareil de qualité est garanti exempt de tout vice de matière première et de fabrication, s'il est utilisé dans les conditions normales recommandées par le fabricant. Cette garantie n'est offerte qu'à l'acheteur initial de l'appareil vendu par Danby Products Limited (Canada) ou Danby Products Inc. (E.- U.A.) (ci-après « Danby ») ou par l'un des ses distributeurs agréés et elle ne peut être transférée.

Conditions

Les pièces en plastique sont garanties pendant trente (30) jours seulement à partir de la date de l'achat, sans aucune prolongation prévue.

Premiers 24 mois Pendant les premiers vingt quatre (24) mois, toutes les pièces fonctionnelles de ce produit qui s'avèrent défectueuses seront réparées ou remplacées, selon le choix du garant, sans frais à l'acheteur initial.

Pour bénéficier du service S'adresser au détaillant qui a vendu l'appareil, ou à la station technique agréée de service la plus proche, où les réparations doivent être effectuées par un technicien qualifié. Si les réparations sont effectuées par quiconque autre que la station de service agréée ou à des fins commerciales, toutes les obligations de Danby en vertu de cette garantie seront annulées.

Limites de l'entretien à domicile Danby se réserve le droit de limiter les limites de "Service au domicile" à proximité d'un dépôt de service agréé. Tout appareil nécessitant un service en dehors des limites de "Service à domicile" sera la responsabilité du consommateur de transporter l'appareil à leur propres frais le point d'achat original ou un dépôt de service pour réparation. Si l'appareil est installé à plus de 100 kilomètres (62 milles) du centre de service le plus proche, il doit être livré à l'atelier de réparation autorisé par Danby le plus proche, car l'entretien doit uniquement être réalisé par un technicien qualifié et certifié pour effectuer un entretien couvert par la garantie de Danby. Les frais de transport entre votre domicile et le lieu de l'entretien ne sont pas couverts par la présente garantie et doivent être acquittés par l'acheteur.

Exclusions

En vertu de la présente, il n'existe aucune autre garantie, condition ou représentation, qu'elle soit exprimée ou tacite, de façon manifeste ou intentionnelle, par Danby ou ses distributeurs agréés. De même, sont exclues toutes les autres garanties, conditions ou représentations, y compris les garanties, conditions ou représentations en vertu de toute loi régissant la vente de produits ou de toute autre législation ou règlement semblables. En vertu de la présente, Danby ne peut être tenue responsable en cas de blessures corporelles ou des dégâts matériels, y compris à l'appareil, quelle qu'en soit les causes. Danby ne peut pas être tenue responsable des dommages indirects dus au fonctionnement défectueux de l'appareil. En achetant l'appareil, l'acheteur accepte de mettre à couvert et de dégager Danby de toute responsabilité en cas de réclamation pour toute blessure corporelle ou tout dégât matériel causé par cet appareil.

Dispositions générales

La garantie ou assurance ci-dessus ne s'applique pas si les dégâts ou réparations sont dus aux cas suivants:

1. Panne de courant.
2. Dommages subis pendant le transport ou le déplacement de l'appareil.
3. Alimentation électrique incorrecte (tension faible, câblage défectueux, fusibles incorrects).
4. Accident, modification, emploi abusif ou incorrect de l'appareil tel qu'une circulation d'air inadéquate dans la pièce ou des conditions de fonctionnement anormales (température extrêmement élevée ou basse).
5. Utilisation dans un but commercial ou industriel (à savoir, si l'appareil n'est pas installé dans un domicile résidentiel).
6. Incendie, dommages causés par l'eau, vol, guerre, émeute, hostilités, cas de force majeure (ouragan, inondation, etc.).
7. Visites d'un technicien pour expliquer le fonctionnement de l'appareil au propriétaire.
8. Installation inappropriée (par exemple, encastrement d'un appareil autoportant, ou utilisation extérieure d'un appareil non conçu à cet effet, y compris, mais sans s'y limiter: les garages, les patios, les porches ou ailleurs qui ne sont pas correctement isolés ou climatisés).

Une preuve de la date d'achat sera requise pour toute réclamation sous garantie; conservez les factures. En cas de besoin de service sous garantie, présentez la preuve d'achat à notre centre de service agréé.

Bienvenido a la familia Danby.

Estamos orgullosos de nuestros productos de calidad y creemos en un servicio confiable. Le sugerimos que lea este manual del propietario antes de enchufar su nuevo electrodoméstico, ya que contiene información importante de funcionamiento, información de seguridad, solución de problemas y consejos de mantenimiento para garantizar la confiabilidad y longevidad de su electrodoméstico.

Tiene derecho a la cobertura de la garantía como se describe en el manual del propietario que se proporciona con su nuevo electrodoméstico.

1. Escriba la información de su aparato a continuación. **Debe conservar el comprobante de compra original para validar y recibir los servicios de garantía.**
2. Registre su producto en línea y reciba una **EXTENSIÓN DE GARANTÍA GRATUITA DE 2 MESES** después de completar una encuesta sobre el producto, en www.danby.com/support/product-registration/

Número de modelo: _____

Número de serie: _____

Fecha de compra: _____

Necesitas ayuda?

1. Lea el manual del propietario para obtener ayuda con la instalación, resolución de problemas y asistencia de mantenimiento.
2. Visite www.Danby.com para acceder a herramientas de autoservicio, preguntas frecuentes y mucho más buscando su número de modelo en la barra de búsqueda.
3. Para obtener el **servicio al cliente más rápido**, complete el formulario web en www.danby.com/support. Su envío irá directamente a un experto en su dispositivo en particular. Nuestros tiempos de respuesta promedio son entre 20 minutos y 2 horas, durante el horario comercial EST.
4. Llame al **1-800-263-2629**; tenga en cuenta que durante las horas pico, los tiempos de espera pueden exceder una hora.



Importantes Instrucciones de Seguridad

LEA Y SIGA TODAS LAS INSTRUCCIONES DE SEGURIDAD



Nota Importante: Lea este manual cuidadosamente antes de instalar u operar este aparato. Asegúrese de guardar el manual para referencia futuras.

	PRECAUCIÓN	Muestra que el manual de funcionamiento debe leerse con atención.
	PRECAUCIÓN	Muestra que el personal de servicio debe manipular este equipo con referencia al manual de instalación.
	PRECAUCIÓN	Muestra que la información está disponible, como el manual de operación o el manual de instalación.



PRECAUCIÓN: RIESGO DE INCENDIO

Refrigerante inflamable utilizado. Al mantener o desechar el acondicionador de aire, no se debe permitir que el refrigerante se ventile al aire libre.

¡GUARDE ESTAS INSTRUCCIONES!



Importantes Instrucciones de Seguridad

LEA Y SIGA TODAS LAS INSTRUCCIONES DE SEGURIDAD



PRECAUCIONES DE SEGURIDAD

ADVERTENCIA

- La instalación debe realizarse de acuerdo con las instrucciones de instalación. Una instalación incorrecta puede provocar fugas de agua, descargas eléctricas o incendios.
- Utilice solo los accesorios y piezas incluidos y las herramientas especificadas para la instalación. El uso de piezas no estándar puede provocar fugas de agua, descargas eléctricas, incendios y lesiones o daños materiales.
- Asegúrese de que el tomacorriente que esté utilizando esté conectado a tierra y tenga el voltaje adecuado. El cable de alimentación está equipado con un enchufe con conexión a tierra de tres clavijas para protegerlo de los golpes. La información sobre el voltaje se puede encontrar en la placa de identificación de la unidad.
- Su unidad debe usarse en un receptáculo de pared con conexión a tierra adecuada. Si el receptáculo de pared que piensa usar no está adecuadamente conectado a tierra o protegido por un fusible de retardo de tiempo o un disyuntor (el fusible del disyuntor necesario está determinado por la corriente máxima de la unidad. La corriente máxima se indica en la placa de identificación ubicada en el unidad), haga que un electricista calificado instale el receptáculo adecuado.
- Instale la unidad en una superficie plana y resistente. El no hacerlo podría resultar en daños o ruido y vibración excesivos.
- La unidad debe mantenerse libre de obstrucciones para garantizar un funcionamiento adecuado y mitigar los riesgos de seguridad.
- No modifique la longitud del cable de alimentación ni utilice un cable de extensión para alimentar la unidad.
- No comparta un solo tomacorriente con otros aparatos eléctricos. Una fuente de alimentación inadecuada puede provocar incendios o descargas eléctricas.
- No instale su aire acondicionado en una habitación húmeda, como un baño o un lavadero. Demasiada exposición al agua puede provocar un cortocircuito en los componentes eléctricos.
- No instale la unidad en un lugar que pueda estar expuesto a combustibles, ya que esto podría provocar un incendio.
- La unidad tiene ruedas para facilitar el movimiento. Asegúrese de no utilizar las ruedas sobre alfombras gruesas o de rodar sobre objetos, ya que esto podría provocar un vuelco.
- No opere una unidad que se haya caído o dañado.
- El aparato con calentador eléctrico debe tener al menos 1 metro de espacio de materiales combustibles.
- No toque la unidad con las manos mojadas o húmedas o cuando esté descalzo.
- Si el aire acondicionado se vuelca durante el uso, apague la unidad y desconéctela de la fuente de alimentación principal inmediatamente. Inspeccione visualmente la unidad para asegurarse de que no haya daños. Si sospecha que la unidad se ha dañado, póngase en contacto con un técnico o con el servicio de atención al cliente para obtener ayuda.
- En una tormenta eléctrica, se debe cortar la energía para evitar daños a la máquina debido a los rayos.
- Su acondicionador de aire debe usarse de tal manera que esté protegido de la humedad. p.ej. condensación, salpicaduras de agua, etc. No coloque ni guarde el acondicionador de aire donde pueda caer o ser arrastrado al agua o cualquier otro líquido. Desenchufe inmediatamente si esto ocurre.
- Todo el cableado debe realizarse estrictamente de acuerdo con la ubicación del diagrama de cableado dentro de la unidad.
- La placa de circuito de la unidad (PCB) está diseñada con un fusible para proporcionar protección contra sobrecorriente. Las especificaciones del fusible están impresas en la placa de circuito.
- Cuando la función de drenaje de agua no esté en uso, mantenga los tapones de drenaje superior e inferior firmemente instalados en la unidad. Los tapones de drenaje pueden representar un peligro de asfixia para los niños.

¡GUARDE ESTAS INSTRUCCIONES!



Importantes Instrucciones de Seguridad

LEA Y SIGA TODAS LAS INSTRUCCIONES DE SEGURIDAD



ADVERTENCIA

- Este electrodoméstico no está diseñado para que lo utilicen personas (incluidos niños) cuyas capacidades físicas, sensoriales o mentales puedan ser diferentes o reducidas, o que carezcan de experiencia o conocimientos, a menos que dichas personas reciban supervisión o capacitación para operar el electrodoméstico por una persona responsable de su la seguridad. Los niños deben ser supervisados para asegurarse de que no jueguen con el aparato. Los niños deben ser supervisados alrededor de la unidad en todo momento.
- Si el cable de alimentación está dañado, debe ser reemplazado por el fabricante, su agente de servicio o personas calificadas de manera similar para evitar un peligro.
- Antes de la limpieza u otro mantenimiento, el aparato debe desconectarse de la fuente de alimentación.
- No retire ninguna cubierta fija. Nunca use este aparato si no funciona correctamente o si se ha caído o dañado.
- No pase el cable debajo de la alfombra. No cubra el cable con tapetes, tapetes o revestimientos similares. No coloque el cable debajo de muebles o electrodomésticos. Disponga los cables lejos del tráfico y donde no se puedan tropezar.
- No opere una unidad con un cable de alimentación, enchufe, fusible de alimentación o disyuntor dañados. Deseche la unidad o devuélvala a un centro de servicio autorizado para su revisión y / o reparación.
- Para reducir el riesgo de incendio o descarga eléctrica, no use este acondicionador de aire con ningún dispositivo de control de velocidad de estado sólido.
- El aparato debe instalarse de acuerdo con las regulaciones nacionales de cableado.
- Comuníquese con el técnico de servicio autorizado para la reparación o el mantenimiento de esta unidad.
- Comuníquese con el instalador de servicio autorizado para la instalación de esta unidad.
- No cubra ni obstruya las rejillas de entrada o salida.
- No utilice este producto para funciones distintas a las descritas en este manual de instrucciones.
- Antes de limpiar, apague la alimentación y desenchufe la unidad.
- Desconecte la alimentación si emite sonidos, olores o humo extraños.
- No presione los botones del panel de control con nada más que los dedos.
- No retire ninguna cubierta fija. Nunca use este aparato si no funciona correctamente o si se ha caído o dañado.
- No opere ni detenga la unidad insertando o desconectando el cable de alimentación.
- No utilice productos químicos peligrosos para limpiar o entrar en contacto con la unidad. No utilice la unidad en presencia de sustancias inflamables o vapores como alcohol, insecticidas, gasolina, etc.
- Siempre transporte su aire acondicionado en posición vertical y párese sobre una superficie estable y nivelada durante el uso.
- Póngase siempre en contacto con una persona calificada para realizar las reparaciones. Si el cable de alimentación dañado debe reemplazarse por un cable de alimentación nuevo obtenido del fabricante del producto y no debe repararse.
- Sostenga el enchufe por la cabeza del enchufe de alimentación cuando lo retire.
- Apague el aparato cuando no esté en uso.

¡GUARDE ESTAS INSTRUCCIONES!



Importantes Instrucciones de Seguridad

LEA Y SIGA TODAS LAS INSTRUCCIONES DE SEGURIDAD



ADVERTENCIA por el uso de refrigerante R32

- No utilice medios para acelerar el proceso de descongelación o para limpiar distintos de los recomendados por el fabricante.
- El artefacto debe almacenarse en una habitación sin fuentes de ignición en funcionamiento continuo, por ejemplo, llamas abiertas, un artefacto de gas en funcionamiento o un calentador eléctrico en funcionamiento.
- No perforar ni quemar.
- Tenga en cuenta que los refrigerantes pueden no tener olor.
- El aparato debe instalarse, operarse y almacenarse en una habitación con un área de piso acorde a la cantidad de refrigerante a cargar. Para obtener información específica sobre el tipo de gas y la cantidad, consulte la etiqueta correspondiente en la unidad. Cuando existan diferencias entre la etiqueta y el manual sobre la descripción del área mínima de la habitación, prevalecerá la descripción en la etiqueta.
- Deberá observarse el cumplimiento de las normativas nacionales sobre gas.
- Mantenga las aberturas de ventilación libres de obstrucciones.
- El aparato debe almacenarse de manera que se evite que se produzcan daños mecánicos.
- Una advertencia de que el aparato debe almacenarse en un área bien ventilada donde el tamaño de la habitación corresponde al área de la habitación según lo especificado para su funcionamiento.
- Cualquier persona que participe en el trabajo o apertura de un circuito de refrigerante debe poseer un certificado válido y vigente de una autoridad de evaluación acreditada por la industria, que acredite su competencia para manejar refrigerantes de manera segura conforme a una especificación de evaluación reconocida por la industria. Toda la capacitación debe cumplir con los requisitos del ANEXO HH de la norma UL 60335-2-40, 4ª Edición. Ejemplos de estos trabajos son: irrupción en el circuito de refrigeración; apertura de componentes sellados; apertura de recintos ventilados.
- El servicio solo se realizará según lo recomendado por el fabricante. El mantenimiento y las reparaciones que requieran la asistencia de otro personal calificado se realizarán bajo la supervisión de una persona competente en el uso de refrigerantes inflamables.
- Siga las instrucciones cuidadosamente para manipular, instalar, limpiar y reparar el aire acondicionado para evitar daños o peligros. En este acondicionador de aire se utiliza refrigerante inflamable R32. Al mantener o desechar el aire acondicionado, el refrigerante debe recuperarse adecuadamente y no debe permitirse que se descargue directamente al aire.
- No debe haber fuego abierto o un dispositivo como un interruptor que pueda generar chispas / arcos eléctricos alrededor del aire acondicionado para evitar que se encienda el refrigerante inflamable utilizado.
- Siga las instrucciones cuidadosamente para almacenar o mantener el aire acondicionado para evitar que se produzcan daños mecánicos.
- El refrigerante inflamable -R32 se utiliza en el aire acondicionado. Siga las instrucciones cuidadosamente para evitar cualquier peligro. Para obtener información específica sobre el tipo de gas y la cantidad, consulte la etiqueta correspondiente en la unidad.
- El aparato se almacenará en una habitación sin llamas abiertas en funcionamiento continuo (por ejemplo, un aparato de gas en funcionamiento) ni fuentes de ignición (por ejemplo, un calentador eléctrico en funcionamiento).

Transporte de equipos que contienen refrigerantes inflamables: Ver normativa de transporte.

Marcado de equipos mediante carteles: Consulte las normativas locales.

Eliminación de equipos que utilizan refrigerantes inflamables: Consulte la normativa nacional.

Almacenamiento de equipos / electrodomésticos: El almacenamiento del equipo debe cumplir con las normativas o instrucciones aplicables, según lo que sea más estricto.

Almacenamiento de equipos embalados (no vendidos): La protección del paquete de almacenamiento debe estar construida de manera que el daño mecánico al equipo dentro del paquete no cause una fuga de la carga de refrigerante. La normativa local determinará el número máximo de equipos que se permite

¡GUARDE ESTAS INSTRUCCIONES!



Importantes Instrucciones de Seguridad

LEA Y SIGA TODAS LAS INSTRUCCIONES DE SEGURIDAD



Información sobre mantenimiento

- 1. Controles en el área:** antes de comenzar a trabajar en sistemas que contienen refrigerantes inflamables, es necesario realizar controles de seguridad para garantizar que se minimice el riesgo de ignición. Para reparar el sistema de refrigeración, se deben cumplir las siguientes precauciones antes de realizar trabajos en el sistema.
- 2. Procedimiento de trabajo:** El trabajo se debe realizar bajo un procedimiento controlado para minimizar el riesgo de presencia de un gas o vapor inflamable mientras se realiza el trabajo.
- 3. Área de trabajo general:** Todo el personal de mantenimiento y otras personas que trabajen en el área local deben recibir instrucciones sobre la naturaleza del trabajo que se está realizando. Se evitará el trabajo en espacios confinados. El área alrededor del espacio de trabajo debe estar seccionada. Asegúrese de que las condiciones dentro del área de trabajo sean seguras eliminando todo el material inflamable.
- 4. Comprobación de la presencia de refrigerante:** El área debe comprobarse con un detector de refrigerante adecuado antes y durante el trabajo para garantizar que el técnico esté al tanto de atmósferas potencialmente inflamables. Asegúrese de que el equipo de detección de fugas que se utiliza sea adecuado para su uso con refrigerantes inflamables, es decir, que no produzcan chispas, que estén adecuadamente sellados e intrínsecamente seguros.
- 5. Presencia de extintor de incendios:** Si se va a realizar algún trabajo en caliente en el equipo de refrigeración o en cualquier parte asociada, se deberá disponer de un equipo de extinción de incendios apropiado. Tenga un extintor de polvo seco o CO₂ adyacente al área de trabajo.
- 6. Sin fuentes de ignición:** Ninguna persona que realice trabajos relacionados con un sistema de refrigeración que impliquen exponer cualquier trabajo de tubería que contenga o haya contenido refrigerante inflamable deberá utilizar cualquier fuente de ignición de tal manera que pueda generar riesgo de incendio o explosión. Todas las posibles fuentes de ignición, incluido el tabaquismo, deben mantenerse lo suficientemente lejos del lugar de instalación, reparación, eliminación y eliminación durante el cual posiblemente se pueda liberar refrigerante inflamable al espacio circundante. Antes de que se lleve a cabo el trabajo, se debe inspeccionar el área alrededor del equipo para asegurarse de que no haya peligros inflamables o riesgos de ignición. Se exhibirán carteles de no fumar.
- 7. Área ventilada:** asegúrese de que el área esté al aire libre o que esté adecuadamente ventilada antes de ingresar al sistema o realizar cualquier trabajo en caliente. Se mantendrá cierto grado de ventilación durante el período en que se lleve a cabo el trabajo. La ventilación debe dispersar de manera segura cualquier refrigerante liberado y, preferiblemente, expulsarlo al exterior a la atmósfera.
- 8. Comprobaciones del equipo de refrigeración:** Cuando se cambien componentes eléctricos, estos deberán ser adecuados para el propósito y las especificaciones correctas. En todo momento se deben seguir las pautas de mantenimiento y servicio del fabricante. En caso de duda, consulte con el departamento técnico del fabricante para obtener ayuda. Se aplicarán las siguientes comprobaciones a las instalaciones que utilicen refrigerantes inflamables:
 - El tamaño de la carga está de acuerdo con el tamaño de la habitación en la que se instalan las piezas que contienen refrigerante.
 - La maquinaria de ventilación y las salidas funcionan adecuadamente y no están obstruidas.
 - Si se está utilizando un circuito de refrigeración indirecto, se debe verificar la presencia de refrigerante en el circuito secundario.
 - La marca del equipo sigue siendo visible y legible. Las marcas y los letreros que se vuelven ilegibles deben corregirse.
 - La tubería o los componentes de refrigeración se instalan en una posición en la que es poco probable que estén expuestos a cualquier sustancia que pueda corroer los componentes que contienen refrigerante, a menos que los componentes estén fabricados con materiales que sean inherentemente resistentes a la corrosión o que estén adecuadamente protegidos contra la corrosión.

¡GUARDE ESTAS INSTRUCCIONES!



Importantes Instrucciones de Seguridad

LEA Y SIGA TODAS LAS INSTRUCCIONES DE SEGURIDAD



9. **Comprobaciones de los dispositivos eléctricos:** la reparación y el mantenimiento de los componentes eléctricos deben incluir comprobaciones de seguridad iniciales y procedimientos de inspección de componentes. Si existe una falla que pueda comprometer la seguridad, no se debe conectar ningún suministro eléctrico al circuito hasta que se solucione satisfactoriamente. Si la falla no se puede corregir de inmediato pero es necesario continuar la operación, se debe utilizar una solución temporal adecuada. Esto se informará al propietario del equipo para que se informe a todas las partes. Las comprobaciones iniciales de seguridad incluirán:
- Que los condensadores estén descargados. Esto se debe hacer de manera segura para evitar la posibilidad de chispas.
 - Que no se exponga ningún cableado ni componentes eléctricos activos durante la carga, recuperación o purga del sistema.
- Que hay continuidad de la conexión a tierra. almacenar juntos.

Les composants électriques scellés sont remplacés

1. Durante las reparaciones de componentes sellados, todos los suministros eléctricos deben desconectarse del equipo en el que se está trabajando antes de retirar las cubiertas selladas, etc. Si es absolutamente necesario tener un suministro eléctrico al equipo durante el servicio, entonces una forma de detección de fugas que funcione permanentemente se ubicará en el punto más crítico para advertir de una situación potencialmente peligrosa.
2. Para asegurarse de que al trabajar en componentes eléctricos, la carcasa no se altere de tal manera que se vea afectado el nivel de protección, se debe prestar especial atención a lo siguiente:
 - Daños en los cables, número excesivo de conexiones, terminales no hechos a la especificación original, daños en las juntas, montaje incorrecto de los prensaestopas, etc.
 - Asegúrese de que el aparato esté montado de forma segura.
 - Asegúrese de que los sellos o materiales de sellado no se hayan degradado de manera que ya no sirvan para evitar la entrada de atmósferas inflamables. Las piezas de repuesto deben estar de acuerdo con las especificaciones del fabricante.

Nota: El uso de sellador de silicona puede inhibir la eficacia de algunos tipos de equipos de detección de fugas. No es necesario aislar los componentes intrínsecamente seguros antes de trabajar en ellos.

Los componentes intrínsecamente seguros deben sustituirse

No aplique ninguna carga inductiva o capacitiva permanente al circuito sin asegurarse de que esto no exceda el voltaje y la corriente permitidos para el equipo en uso. Los componentes intrínsecamente seguros son los únicos tipos en los que se puede trabajar mientras están vivos en presencia de una atmósfera inflamable. El aparato de prueba debe tener la clasificación correcta. Reemplace los componentes solo con piezas especificadas por el fabricante. Otras partes pueden provocar la ignición del refrigerante en la atmósfera debido a una fuga.

¡GUARDE ESTAS INSTRUCCIONES!



Importantes Instrucciones de Seguridad

LEA Y SIGA TODAS LAS INSTRUCCIONES DE SEGURIDAD



Cableado

Compruebe que el cableado no esté sujeto a desgaste, corrosión, presión excesiva, vibración, bordes afilados o cualquier otro efecto ambiental adverso. La verificación también debe tener en cuenta los efectos del envejecimiento o la vibración continua de fuentes como compresores o ventiladores.

Detección de refrigerantes inflamables.

Bajo ninguna circunstancia deben utilizarse fuentes potenciales de ignición en la búsqueda o detección de fugas de refrigerante. No se debe usar una antorcha de halogenuros o cualquier otro detector que use una llama desnuda. Los siguientes métodos de detección de fugas se consideran aceptables para sistemas que contengan refrigerantes inflamables.

- Se deben usar detectores electrónicos de fugas para detectar refrigerantes inflamables, pero la sensibilidad puede no ser adecuada o puede necesitar una recalibración. El equipo de detección debe estar calibrado en un área libre de refrigerante. Asegúrese de que el detector no sea una fuente potencial de ignición y que sea adecuado para el refrigerante utilizado.
- El equipo de detección de fugas se fijará en un porcentaje del LFL del refrigerante y se calibrará para el refrigerante empleado y se confirmará el porcentaje apropiado de gas (25% máximo).
- Los fluidos de detección de fugas son adecuados para el uso con la mayoría de los refrigerantes, pero se debe evitar el uso de detergentes que contengan cloro, ya que el cloro puede reaccionar con el refrigerante y corroer el cobre o las tuberías.
- Si se sospecha una fuga, todas las llamas descubiertas deben retirarse o extinguirse.
- Si se encuentra una fuga de refrigerante que requiere soldadura fuerte, todo el refrigerante se recuperará del sistema o se aislará mediante válvulas de cierre en una parte del sistema alejada de la fuga. El nitrógeno libre de oxígeno (OFN) se purgará a través del sistema antes y durante el proceso de soldadura fuerte.

Traslado y evacuación

Al entrar en el circuito de refrigerante para realizar reparaciones o para cualquier otro propósito, se deben utilizar procedimientos convencionales. Sin embargo, es importante que se sigan las mejores prácticas ya que la inflamabilidad es una consideración. Se seguirán los siguientes procedimientos:

- Elimine el refrigerante de forma segura siguiendo la normativa local y nacional;
- Evacuen;
- Purgar el circuito con gas inerte (opcional para A2L);
- Evacuen;
- Lavar o purgar continuamente con gas inerte cuando se utilice la llama para abrir el circuito; y
- Abrir el circuito.

¡GUARDE ESTAS INSTRUCCIONES!



Importantes Instrucciones de Seguridad

LEA Y SIGA TODAS LAS INSTRUCCIONES DE SEGURIDAD



La carga de refrigerante se recuperará en los cilindros de recuperación correctos si la ventilación no está permitida por los códigos locales y nacionales. En el caso de aparatos que contengan refrigerantes inflamables, se purgará el sistema con nitrógeno libre de oxígeno para que el aparato sea seguro para los refrigerantes inflamables. Puede ser necesario repetir este proceso varias veces. No se utilizará aire comprimido ni oxígeno para purgar los sistemas refrigerantes.

En el caso de aparatos que contengan refrigerantes inflamables, la purga de refrigerantes se realizará rompiendo el vacío en el sistema con nitrógeno libre de oxígeno y continuando el llenado hasta alcanzar la presión de trabajo, ventilando a continuación a la atmósfera y, por último, reduciendo el vacío (opcional para A2L). Este proceso se repetirá hasta que no quede refrigerante en el sistema (opcional para A2L). Cuando se utilice la carga final de nitrógeno libre de oxígeno, el sistema se purgará hasta la presión atmosférica para permitir que se realice el trabajo.

La salida de la bomba de vacío no deberá estar cerca de ninguna fuente potencial de ignición y deberá disponerse de ventilación.

Procedimientos de carga

Además de los procedimientos de carga convencionales, se deben seguir los siguientes requisitos:

- Asegúrese de que no se contamine con refrigerantes diferentes cuando utilice equipos de carga. Las mangueras o líneas deben ser lo más cortas posible para minimizar la cantidad de refrigerante que contienen.
- Los cilindros se mantendrán en posición vertical.
- Asegúrese de que el sistema de refrigeración esté conectado a tierra antes de cargar el sistema con refrigerante.
- Etiquete el sistema cuando se complete la carga, si no está ya etiquetado.
- Se debe tener mucho cuidado de no sobrecargar el sistema de refrigeración.
- Antes de recargar el sistema, se someterá a prueba de presión con OFN. El sistema debe ser probado contra fugas al finalizar la carga pero antes de la puesta en servicio. Se realizará una prueba de fugas de seguimiento antes de abandonar el sitio.

¡GUARDE ESTAS INSTRUCCIONES!



Importantes Instrucciones de Seguridad

LEA Y SIGA TODAS LAS INSTRUCCIONES DE SEGURIDAD



Desmantelamiento

Antes de llevar a cabo este procedimiento, es esencial que el técnico esté completamente familiarizado con el equipo en todo su detalle. Se recomienda una buena práctica que todos los refrigerantes se recuperen de manera segura. Antes de realizar la tarea, se debe tomar una muestra de aceite y refrigerante en caso de que se requiera un análisis antes de reutilizar el refrigerante recuperado. Es esencial que la energía eléctrica esté disponible antes de comenzar la tarea.

- A. Familiarizarse con el equipo y su funcionamiento.
- B. Sistema de aislamiento eléctrico.
- C. Antes de intentar el procedimiento, asegúrese de que:
 - El equipo de manejo mecánico está disponible si es necesario para el manejo de cilindros de refrigerante.
 - Todo el equipo de protección personal está disponible y se está utilizando correctamente.
 - El proceso de recuperación es supervisado en todo momento por una persona competente.
 - Los equipos y cilindros de recuperación cumplen con las normas apropiadas.
- D. Bombear el sistema de refrigerante, si es posible.
- E. Si no es posible un vacío, haga un colector para que se pueda eliminar el refrigerante de varias partes del sistema.
- F. Asegúrese de que el cilindro esté situado en la balanza antes de que tenga lugar la recuperación.
- G. Arranque la máquina de recuperación y opere de acuerdo con las instrucciones del fabricante.
- H. No llene en exceso los cilindros. No más del 80% de volumen de carga líquida.
- I. No exceda la presión máxima de trabajo del cilindro, ni siquiera temporalmente.
- J. Cuando los cilindros se hayan llenado correctamente y se haya completado el proceso, asegúrese de que los cilindros y el equipo se retiren del sitio rápidamente y que todas las válvulas de aislamiento del equipo estén cerradas.
- K. El refrigerante recuperado no debe cargarse en otro sistema de refrigeración a menos que se haya limpiado y revisado.

Etiquetado

El equipo debe estar etiquetado indicando que ha sido retirado del servicio y vaciado de refrigerante. La etiqueta deberá estar fechada y firmada. Asegúrese de que haya etiquetas en el equipo que indiquen que el equipo contiene refrigerante inflamable.

¡GUARDE ESTAS INSTRUCCIONES!



Importantes Instrucciones de Seguridad

LEA Y SIGA TODAS LAS INSTRUCCIONES DE SEGURIDAD



Recuperación

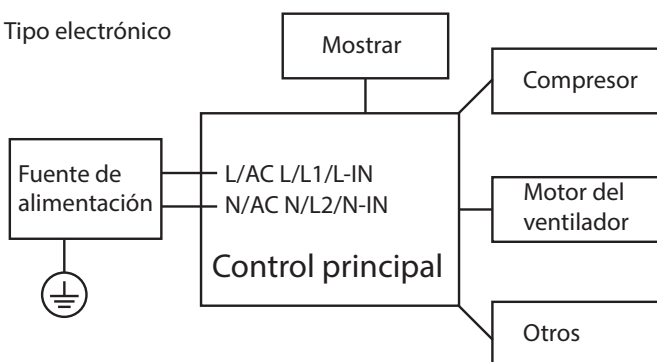
Cuando se retira refrigerante de un sistema, ya sea para servicio o cierre, se recomienda que todos los refrigerantes se eliminen de manera segura.

Cuando transfiera refrigerante a los cilindros, asegúrese de que solo se utilicen los cilindros apropiados para recuperar el refrigerante. Asegúrese de que esté disponible el número correcto de cilindros para mantener la carga total del sistema. Todos los cilindros que se utilizarán están diseñados para el refrigerante recuperado y etiquetados para ese refrigerante, es decir, cilindros especiales para la recuperación de refrigerante. Los cilindros deben estar completos con válvula de alivio de presión y válvulas de cierre asociadas en buen estado de funcionamiento. Los cilindros de recuperación vacíos se evacúan y, si es posible, se enfrían antes de que se produzca la recuperación.

El equipo de recuperación debe estar en buen estado de funcionamiento con un conjunto de instrucciones sobre el equipo que se encuentra a mano y debe ser adecuado para la recuperación de refrigerantes inflamables. Además, un conjunto de balanzas calibradas estará disponible y en buen estado de funcionamiento. Las mangueras deben estar completas con acoplamientos de desconexión sin fugas y en buenas condiciones. Antes de usar la máquina de recuperación, verifique que esté en buen estado de funcionamiento, que se haya mantenido correctamente y que todos los componentes eléctricos asociados estén sellados para evitar la ignición en caso de una fuga de refrigerante. Consulte al fabricante en caso de duda.

El refrigerante recuperado se devolverá al proveedor de refrigerante en el cilindro de recuperación correcto y se dispondrá la nota de transferencia de residuos correspondiente. No mezcle refrigerantes en unidades de recuperación y especialmente en cilindros. Si se deben retirar los compresores o los aceites de compresores, asegúrese de que hayan sido evacuados a un nivel aceptable para asegurarse de que no quede refrigerante inflamable dentro del lubricante. El proceso de evacuación se llevará a cabo antes de devolver el compresor a los proveedores. Para acelerar este proceso solo debe emplearse calentamiento eléctrico del cuerpo del compresor. Cuando el aceite se drena de un sistema, debe llevarse a cabo de manera segura.

Tipo electrónico



ADVERTENCIA: Antes de realizar cualquier trabajo eléctrico o de cableado, desconecte la alimentación principal del sistema.

NOTA: Por favor, siga estrictamente la etiqueta de cableado adjunta a la máquina para todas las conexiones de cableado. El diagrama de cableado puede variar según la unidad. Consulte el diagrama de cableado de la máquina que ha adquirido. El diagrama de cableado anterior es una versión simplificada sólo con fines ilustrativos preliminares.

¡GUARDE ESTAS INSTRUCCIONES!

INSTRUCCIONES DE INSTALACIÓN

ACCESSORIES

1. Adaptador de salida de aire
2. Módulo adaptador de escape A
3. Módulo adaptador de escape B
4. Módulo adaptador de escape C
5. Tornillo adaptador de escape
6. Control deslizante de ventana A
7. Control deslizante de ventana B
8. Control deslizante de ventana C
9. Pernos deslizantes de ventana (x4)
10. Junta de espuma A (adhesivo) (x2)
11. Junta de espuma B (adhesivo) (x2)
12. Junta de espuma C (no adhesiva) (x2)
13. Soporte de seguridad y 2 tornillos
14. Manguera de drenaje
15. Mando a distancia y pilas
16. Hebilla del cable de alimentación

NOTA:

The adaptor and short foam seals are located on the top of the foam in side the carton.

Se suministran dos ruedas adicionales en caso de que se produzcan daños durante el transporte..

HERRAMIENTAS REQUERIDAS

1. Destornillador Phillips de tamaño mediano
2. Cinta métrica o regla
3. Cuchillo o tijeras
4. Sierra (en el caso de que los controles deslizantes de la ventana deban cortarse a medida)

ADVERTENCIA IMPORTANTE

No deje este aparato desatendido en un espacio donde se encuentren personas o animales que no puedan reaccionar ante un mal funcionamiento. Un mal funcionamiento, como que la manguera de escape se disloque, puede causar un sobrecalentamiento extremo o la muerte en un espacio cerrado y desatendido.

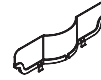
1



2



3



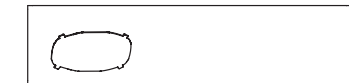
4



5



6



7



8



9



10



11



12



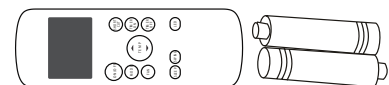
13



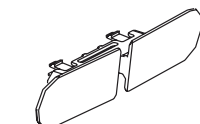
14



15



16

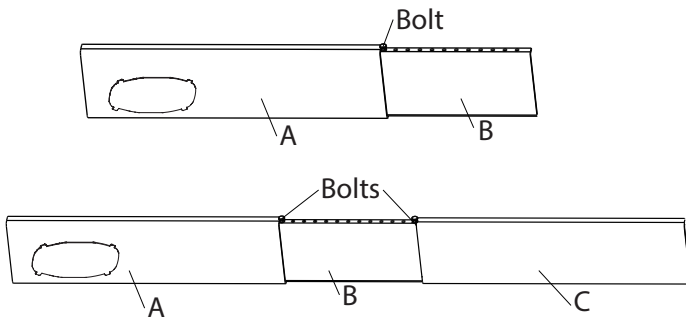


INSTRUCCIONES DE INSTALACIÓN

MONTAJE DEL KIT DE VENTANA

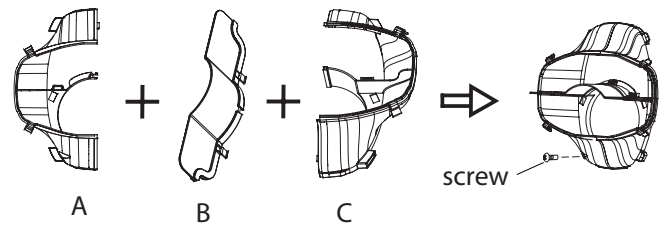
Paso uno: prepare los controles deslizantes de la ventana

1. Mida la abertura de la ventana donde se instalará el kit de ventana.
2. Reúna tantos controles deslizantes como sea necesario para que quepan en la ventana. Si la abertura de la ventana es menor que la longitud mínima de un solo deslizador, use el deslizador que tiene el agujero y córtelo a la longitud correcta. Asegúrese de no cortar el extremo que tiene el orificio, ya que es necesario para conectar el adaptador de la manguera de escape.
3. Utilice los pernos deslizantes de la ventana para asegurar los deslizadores de la ventana a la longitud correcta.



Paso dos: prepare el adaptador de escape (para aplicaciones opcionales de ventana deslizante)

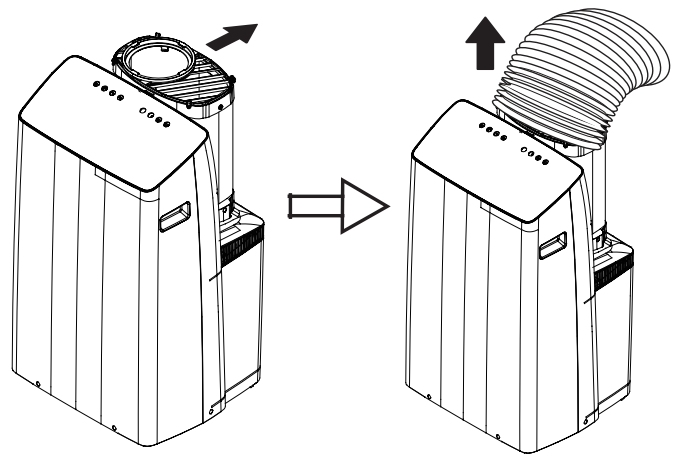
Monte el módulo adaptador de escape para ventanas corredizas usando el tornillo adaptador de escape como se muestra. El deslizador de la ventana es excéntrico, por lo que el adaptador de escape debe instalarse lejos de la pared.



MANGUERA DE ESCAPE

Saque la manguera

1. Gire la manguera de escape suavemente hacia atrás.
2. Saque la manguera de escape.

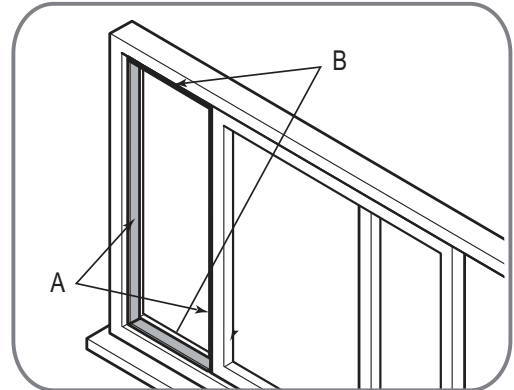
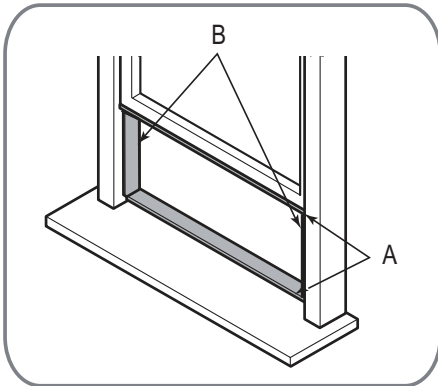


INSTRUCCIONES DE INSTALACIÓN

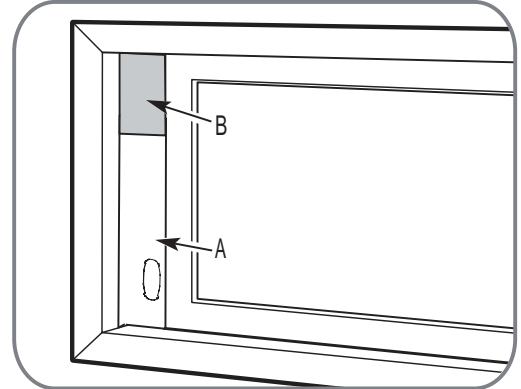
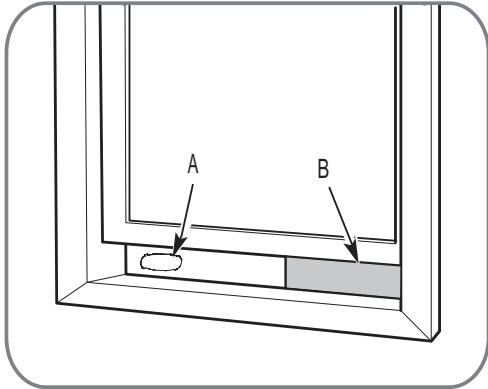
INSTALACIÓN DEL KIT DE VENTANA

Las instrucciones a continuación se pueden utilizar para una aplicación de ventana colgada (que se muestra a la izquierda) o una aplicación de ventana deslizante opcional (que se muestra a la derecha).

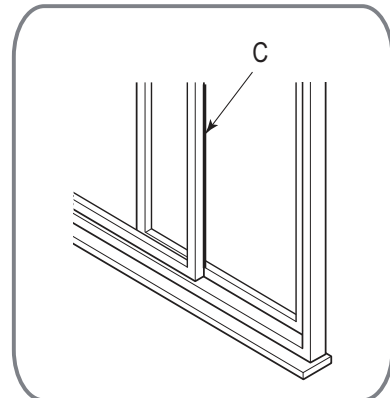
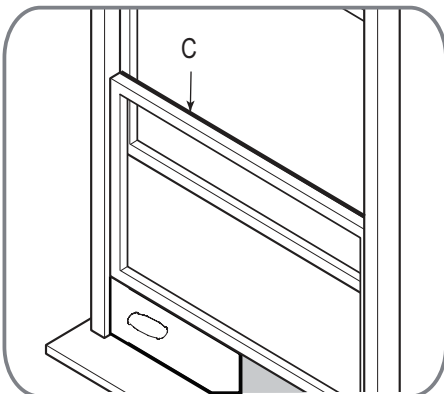
1. Corte los sellos de espuma adhesiva A y B a la longitud correcta y fíjelos al marco de la ventana como se muestra.



2. Inserte el kit de deslizador de ventana en la abertura de la ventana y cierre la ventana para asegurarla en su lugar.

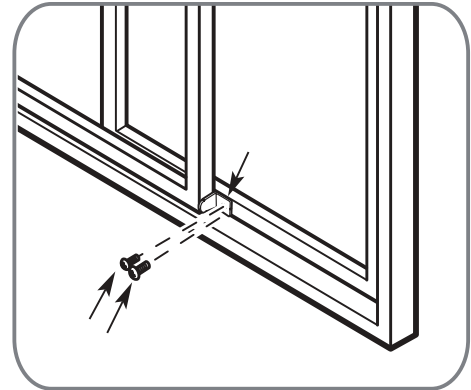
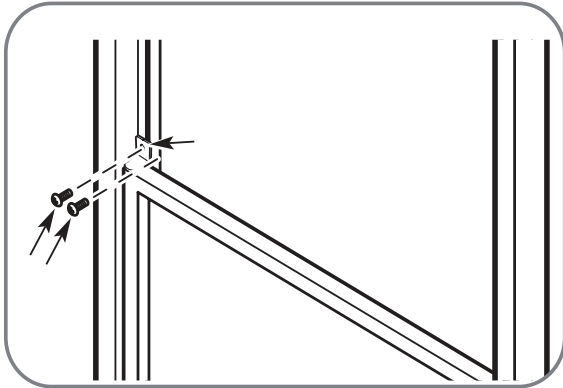


3. Corte el sello de espuma no adhesiva C para que coincida con el ancho o alto de la ventana e insértelo entre los paneles de vidrio como se muestra para evitar que el aire exterior ingrese a la ventana.

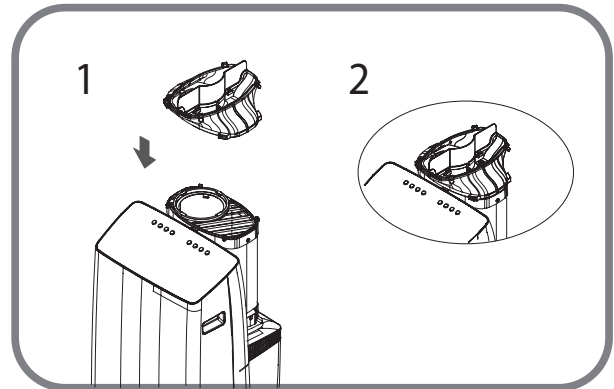
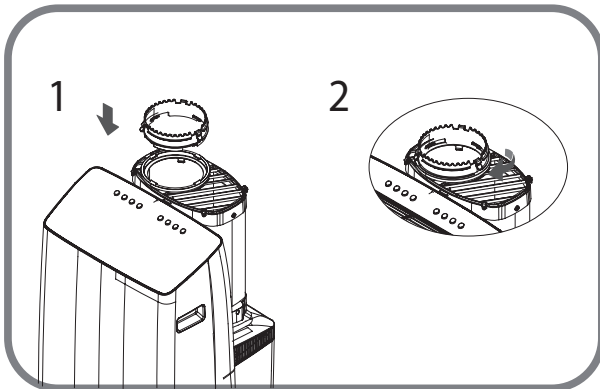


INSTRUCCIONES DE INSTALACIÓN

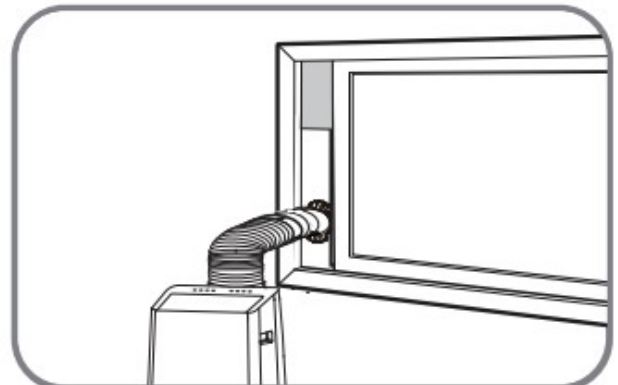
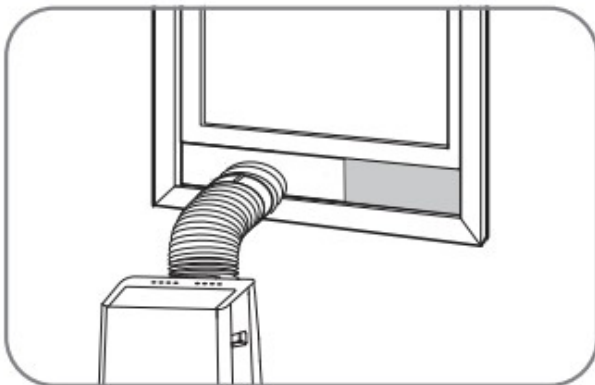
4. Si lo desea, instale el soporte de seguridad con 2 tornillos como se muestra.



5. Para una ventana colgante, conecte el adaptador de salida de aire a la manguera de escape y gírelo 90° para asegurarlo en su lugar. Para una ventana deslizante, conecte el adaptador de escape a la manguera de escape.



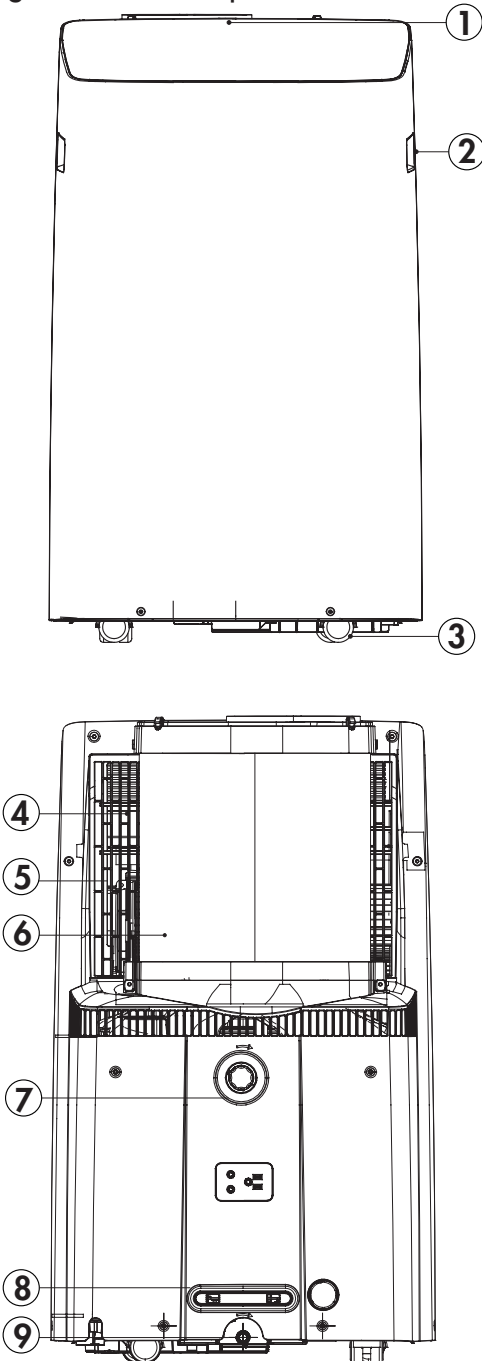
6. Para una ventana suspendida, conecte el adaptador de salida de aire al kit de deslizador de ventana. Para una ventana deslizante, coloque el adaptador de escape en el kit de deslizador de ventana.



INSTRUCCIONES DE OPERACIÓN

CARACTERÍSTICAS

1. Panel de control
2. Asa (ambos lados)
3. Ruedas
4. Filtro de aire superior
5. Toma de aire superior
6. Manguera de escape
7. Drenaje continuo
8. Banda de almacenamiento del cable de alimentación
9. Desagüe de la bandeja inferior



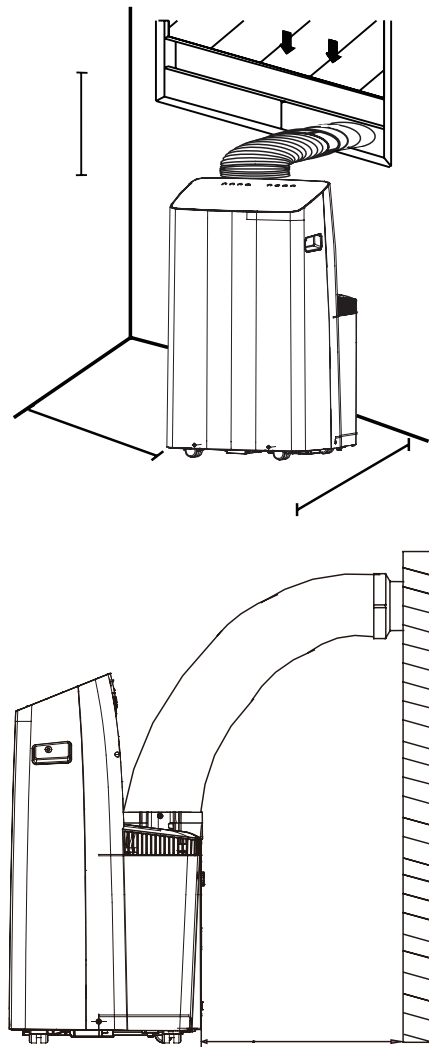
UBICACIÓN

Coloque el acondicionador de aire sobre un piso liso y nivelado que sea lo suficientemente fuerte para soportarlo y todos los accesorios incluidos. Asegúrese de que esté nivelado para minimizar el ruido y la vibración.

El acondicionador de aire debe instalarse cerca de un receptáculo conectado a tierra y la salida de drenaje de desbordamiento en la parte trasera debe ser accesible.

No cubra las entradas o salidas de aire ni el receptor del control remoto en el panel de control.

El acondicionador de aire requiere 25 cm (10 pulgadas) de espacio a los lados y en la parte posterior para una circulación de aire adecuada. La hoja de la persiana debe estar a 50 cm (20 pulgadas) de los obstáculos.



INSTRUCCIONES DE OPERACIÓN

PANEL DE CONTROL

- Botón de conexión inalámbrica y oscilante:**
 - Presione para iniciar la función de oscilación automática.
 - Mantenga pulsado durante tres segundos para comenzar a utilizar la función de conexión inalámbrica.
- Botón de temporizador:** presione para configurar el temporizador automático. La luz indicará si se ha configurado un temporizador.
- Botón de modo:** presione para seleccionar el modo deseado. La luz indicará el modo actual.
- Botones de control de temperatura:**
 - Presione para modificar la temperatura establecida en incrementos de 1° en un rango de 16 a 30°C (60 a 86°F).
 - Presione para modificar la configuración del temporizador en incrementos de 0,5 horas hasta 10 horas y luego en incrementos de 1 hora hasta 24 horas.
 - Mantenga presionados ambos botones de control de temperatura durante tres segundos para cambiar la pantalla de temperatura de °C a °F.
- Pantalla LED:**
 - Muestra la temperatura establecida en °C o °F.
 - Muestra la configuración del temporizador.
 - Muestra códigos de error.
 - Cuando está en modo ventilador, muestra la temperatura ambiente.
- Botón de ventilador:**
 - Presione para seleccionar la velocidad del ventilador. La luz indicará la velocidad actual.
 - Mantenga pulsado durante 3 segundos para encender o apagar el ventilador continuo.
- Botón de dormir y filtro:**
 - Presione para iniciar la función de suspensión.
 - La luz del filtro se iluminará después de 250 horas de uso como recordatorio para limpiar el filtro; para restablecer el filtro después de la limpieza, mantenga presionado el botón de suspensión durante tres segundos.
- Botón de encendido:** presione para encender o apagar el aparato.



MODOS DE FUNCIONAMIENTO

Modo fresco

- Elija el modo de enfriamiento para configurar la función de enfriamiento.
- Use los botones de control de temperatura para elegir la temperatura deseada.
- Use el botón del ventilador para elegir la velocidad deseada del ventilador.
- La temperatura se puede ajustar dentro de un rango de 16 a 30 °C (60 a 86 °F).
- Se debe instalar la manguera de escape.

Modo seco

- Elija el modo seco para eliminar el exceso de humedad del aire. El agua se condensará dentro del aparato y se drenará por la parte trasera.
- El nivel de humedad y la velocidad del ventilador se configurarán automáticamente y no se pueden modificar en modo seco.
- La pantalla mostrará la temperatura ambiente actual.
- No es necesario conectar la manguera de escape al kit de ventana.
- Puede ser necesario instalar la manguera de drenaje continuo durante el modo seco para eliminar el exceso de agua.

Modo de ventilador

- El modo de ventilador se puede usar para hacer funcionar el ventilador sin activar las funciones de enfriamiento o deshumidificación.
- Use el botón del ventilador para elegir la velocidad deseada del ventilador.
- No es necesario conectar la manguera de escape al kit de ventana.
- En el modo de refrigeración o seco, mantenga presionado el botón del ventilador durante 3 segundos para configurar el ventilador para que funcione de forma continua. Mantenga presionado el botón del ventilador durante 3 segundos para desactivar el ventilador continuo. Durante el funcionamiento normal, el ventilador se encenderá y apagará con el compresor.

Modo automático

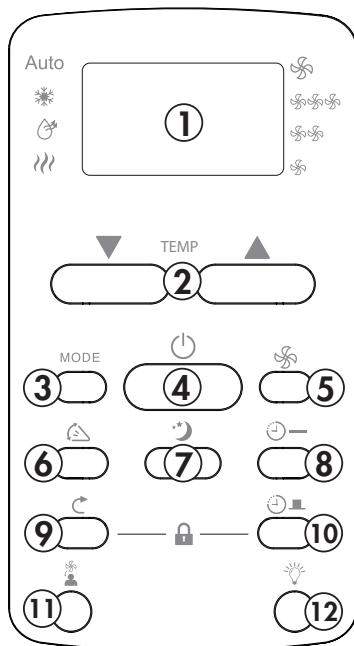
El modo automático es un programa preestablecido de fábrica que elige automáticamente entre el modo de refrigeración o ventilador y establece la velocidad del ventilador en función de la temperatura establecida y la temperatura ambiente. La manguera de escape debe

63 instalarse durante el modo automático.

INSTRUCCIONES DE OPERACIÓN

CONTROL REMOTO

1. **Pantalla LED:** Muestra la temperatura establecida o la configuración del temporizador automático. Muestra si Sígueme está activo.
2. **Botones de control de temperatura:** Se utilizan para configurar la temperatura. Mantenga presionados ambos botones de control de temperatura durante 3 segundos para cambiar la visualización de temperatura de °C a °F.
3. **Botón de modo:** Presiónelo para seleccionar el modo deseado.
4. **Botón de encendido:** Presione para encender o apagar.
5. **Botón ventilador:** Presione para seleccionar la velocidad del ventilador.
6. **Botón de oscilación:** Presiónelo para iniciar la función de oscilación automática. Cuando se activa la oscilación automática, presione nuevamente para detener la persiana en el ángulo deseado.
7. **Botón de suspensión:** Presiónelo para iniciar la función de suspensión.
8. **Botón de encendido del temporizador:** Presiónelo para configurar el temporizador de encendido automático.
9. **Botón de acceso directo:** Presiónelo para configurar y activar la función de acceso directo.
10. **Botón de apagado del temporizador:** Presiónelo para configurar el temporizador de apagado automático.
11. **Botón Sígueme:** Presiónelo para activar Sígueme.
12. **Botón LED:** Pulse para encender o apagar la pantalla LED del aparato.



Nota: Este modelo no incluye modo calor.

REEMPLAZANDO LAS BATERÍAS DEL CONTROL REMOTO

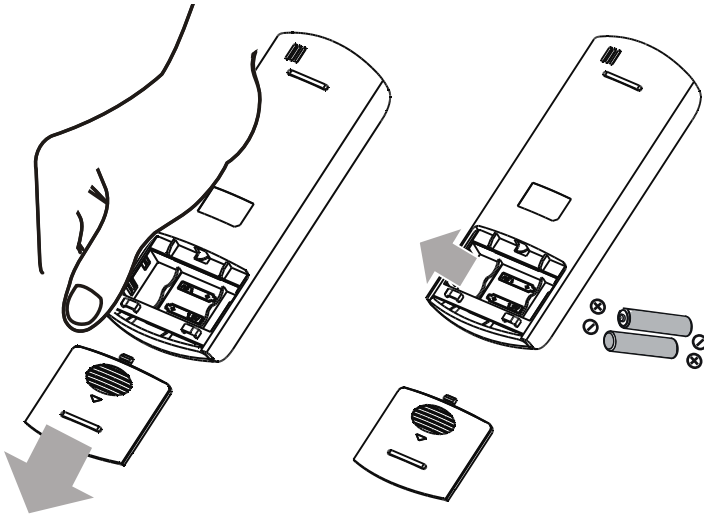
Este acondicionador de aire viene con dos pilas AAA. Coloque las pilas en el mando a distancia antes de usarlas.

1. Deslice la cubierta posterior desde el control remoto hacia abajo para exponer el compartimiento de la batería.
2. Inserte las pilas, asegúrese de que coincidan con los símbolos (+) y (-) en los extremos de las baterías con los símbolos dentro del compartimiento de la batería.
3. Vuelva a colocar la tapa de la batería en su lugar.

Notas:

- El acondicionador de aire no responderá si cortinas, puertas u otros materiales bloquean la señal del mando a distancia a la unidad.
- Evite que el líquido entre en contacto con el mando a distancia. No exponga el control remoto a la luz directa del sol ni al calor.
- Si el receptor de señales de infrarrojos de la unidad interior está expuesto a la luz directa del sol, es posible que el acondicionador de aire no funcione correctamente. Utilice cortinas para evitar que la luz del sol caiga sobre el receptor.
- No mezcle baterías viejas y nuevas o baterías de diferentes tipos.
- No deje las baterías en el mando a distancia si no va a ser utilizado por más de 2 meses.
- Retire rápidamente las pilas usadas. Sustituya todas las pilas de un juego al mismo tiempo.
- Limpie los contactos de las pilas y también los del aparato antes de instalar las pilas.
- El mando a distancia funciona dentro de un alcance de 8 metros desde el receptor situado en el interior del aparato principal. Cualquier obstrucción entre el receptor y el mando a distancia puede causar interferencias en la señal, limitando la capacidad de programar la unidad principal.

INSTRUCCIONES DE OPERACIÓN



IMPORTANTE

No deseche las baterías como desechos municipales no clasificados. Consulte las leyes locales para la eliminación adecuada de las baterías.

NORMAS DE CONTROL REMOTO

Este equipo ha sido probado y cumple con los límites para un dispositivo digital de Clase B, de acuerdo con la Parte 15 de las Reglas de la FCC. Estos límites están diseñados para proporcionar una protección razonable contra interferencias dañinas en una instalación residencial. Este equipo genera, utiliza y puede irradiar energía de radiofrecuencia y, si no se instala y utiliza de acuerdo con las instrucciones, puede causar interferencia perjudicial a las comunicaciones de radio. Sin embargo, no hay garantía de que no se produzcan interferencias en una instalación en particular.

Si este equipo causa interferencias perjudiciales a la recepción de radio o televisión, lo que puede determinarse apagando y encendiendo el equipo, se recomienda al usuario que intente corregir la interferencia mediante una o más de las siguientes medidas:

1. Reorientar o reubicar la antena receptora
2. Aumente la separación entre el equipo y el receptor
3. Conecte el equipo a una toma de corriente en un circuito distinto al que está conectado el receptor
4. Consulte con el distribuidor o con un técnico de radio / TV experimentado para obtener ayuda.

5. Los cambios o modificaciones no aprobados por la parte responsable del cumplimiento de la FCC y de Industry Canada podrían anular la autoridad del usuario para operar el equipo.

Este aparato cumple con la Parte 15 de las Reglas de la FCC.

El funcionamiento está sujeto a las siguientes condiciones:

1. Este dispositivo no puede causar interferencias perjudiciales.
2. Este dispositivo debe aceptar cualquier interferencia recibida, incluida la interferencia que pueda causar un funcionamiento no deseado.

Este dispositivo cumple con la norma canadiense CAN ICES-003(B)/NMB-003(B)

DECLARACIÓN DE CONFORMIDAD DEL PROVEEDOR

47 CFR § 2.1077 Información de cumplimiento
Identificador único: Danby, RG51F(2)/EF, RG51F(2)/EF-B

Información de contacto de la parte responsable en EE. UU.:

Danby Products Inc.
1800 Production Drive
Findlay, OH
45840

Número de teléfono o información de contacto de Internet: Danby.com

Declaración de cumplimiento de la FCC: Este aparato cumple con la Parte 15 de las Reglas de la FCC. La operación está sujeta a las siguientes condiciones:

1. Es posible que este dispositivo no cause interferencias.
2. Este dispositivo debe aceptar cualquier interferencia recibida, incluida la interferencia que pueda provocar un funcionamiento no deseado.

INSTRUCCIONES DE OPERACIÓN

TEMPORIZADOR

Apagado automático

1. Cuando el aire acondicionado esté encendido, presione el botón del temporizador para activar el temporizador de apagado automático.
2. Presione los botones de control de temperatura para cambiar el tiempo establecido en incrementos de 0,5 horas hasta 10 horas y luego en incrementos de 1 hora hasta 24 horas.

Encendido automático

1. Cuando el aire acondicionado esté apagado, presione el botón del temporizador para activar el temporizador de encendido automático.
2. Presione los botones de control de temperatura para cambiar el tiempo establecido en incrementos de 0,5 horas hasta 10 horas y luego en incrementos de 1 hora hasta 24 horas.

El temporizador no encenderá y apagará el aire acondicionado indefinidamente. Los temporizadores de encendido y apagado automático funcionarán una vez y luego el aire acondicionado volverá a funcionar normalmente.

Al configurar el temporizador, la pantalla volverá a mostrar la temperatura si no hay entrada en 5 segundos.

Apague el aire acondicionado, ajuste el temporizador a 0 o mantenga presionado el botón del temporizador durante 3 segundos para apagar el temporizador.

ACCESO DIRECTO

El acceso directo se puede utilizar para guardar una configuración favorita. Ajuste el acondicionador de aire a la temperatura deseada y la velocidad del ventilador. Mantenga presionado el botón de acceso directo durante 2 segundos. Presione el botón de acceso directo en cualquier momento en el futuro para volver a la configuración favorita. El acceso directo solo está disponible en el control remoto.

Si no se establece ningún acceso directo, al presionar el botón de acceso directo se configurará el acondicionador de aire para que funcione en modo automático a 29 °C (79 °F), con la velocidad del ventilador configurada en automático.

DORMIR

La función de reposo se puede utilizar para conservar energía durante las horas de sueño. Esta función se puede utilizar durante el modo de frío. No está disponible en modo seco o ventilador.

La temperatura aumentará 1 grado cada 30 minutos durante 1 hora. La unidad mantendrá la nueva temperatura durante 7 horas.

La función de suspensión se puede cancelar en cualquier momento presionando el botón de suspensión.

SÍGUEME

Hay un sensor de temperatura integrado en el control remoto que recopilará continuamente la temperatura actual de la habitación. Mantenga el control remoto con usted y el aparato ajustará automáticamente la temperatura establecida en función de la temperatura actual donde se encuentra para alcanzar la condición y la temperatura más cómodas.

Presione el botón sígueme para activar la función sígueme. El control remoto enviará una señal al aire acondicionado cada 3 minutos, siempre que permanezca dentro del alcance del aparato.

Si el aparato no recibe una señal del control remoto durante cualquier intervalo de 7 minutos, emitirá un pitido para indicar que el modo Sígueme ha finalizado.

La distancia máxima para la función sígueme es de 8 metros (26 pies). Esta función está disponible en los modos frío y automático.

INSTRUCCIONES DE OPERACIÓN

REINICIO AUTOMÁTICO

Si la unidad pierde energía inesperadamente, reanudará la configuración anterior una vez que se restablezca la energía.

Cuando se apaga la unidad, no se puede reiniciar durante 3 minutos para proteger los componentes internos.

AJUSTE DE LOUVER

Cuando la unidad está encendida, la rejilla se abre completamente.

Presione el botón de oscilación para que sea el movimiento de la rejilla. La rejilla se moverá hacia arriba y hacia abajo automáticamente. Presione el botón de oscilación de nuevo para detener la oscilación automática de las lamas.

No ajuste la rejilla manualmente.

CONEXIÓN INALÁMBRICA

Este acondicionador de aire se puede controlar con una aplicación inalámbrica en su dispositivo inalámbrico. Consulte el manual inalámbrico incluido en la bolsa de accesorios para obtener más información.

- Mantenga presionado el botón giratorio durante 3 segundos para activar la conexión inalámbrica. Aparecerá "AP" en la pantalla cuando el aparato esté en modo de conexión inalámbrica.
- Mantenga presionado el botón giratorio y el botón de disminución de temperatura durante 3 segundos para desactivar el modo de conexión inalámbrica.

EL DRENAJE DEL AGUA

Asegúrese de que el aparato esté apagado y desenchufado y que esté cerca de un desagüe del piso antes de configurar cualquier opción de desagüe.

1. Tapón de drenaje

Cuando la bandeja de drenaje interna se llene, el aparato emitirá un pitido 8 veces y la pantalla digital mostrará el código de error P1. La acción de aire acondicionado o deshumidificación se detendrá, pero el ventilador puede seguir funcionando.

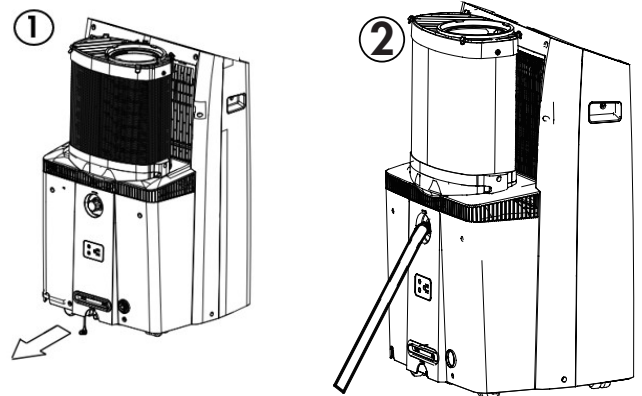
Retire el tapón de drenaje y deje que el agua se drene por completo. Vuelva a colocar el tapón de drenaje inferior, presionando firmemente para garantizar un ajuste perfecto y sin fugas.

2. Drenaje continuo

Durante el modo seco, es posible que desee instalar una opción de drenaje continuo para que el acondicionador de aire drene automáticamente el agua recolectada.

Retire el tapón de drenaje superior y conecte la manguera de drenaje que se proporcionó con el acondicionador de aire. Coloque el extremo abierto de la manguera de drenaje sobre el receptáculo en el que se drenará; esto podría ser un desagüe del piso del sótano, un fregadero o similar.

Asegúrese de que no haya torceduras ni dobleces en la manguera de desagüe y que baje directamente hacia el piso. El drenaje continuo se activa solo por gravedad. Si la manguera no se coloca directamente hacia abajo, el agua no se drenará correctamente.



CUIDADO Y MANTENIMIENTO

LIMPIEZA

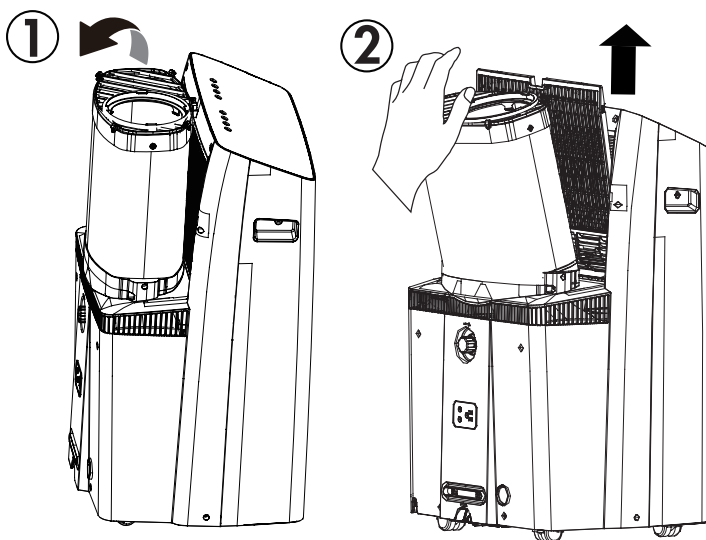
- Desconecte el aparato antes de limpiarlo o repararlo.
- Limpie el gabinete con un paño húmedo tibio y detergente neutro. Seque el gabinete con un paño seco sin pelusa.
- No utilice gasolina, diluyente de pintura u otros productos químicos para limpiar el aparato.
- No lave el aparato directamente debajo de un grifo o con una manguera. Puede causar daños eléctricos.

FILTROS DE AIRE

El filtro de aire debe limpiarse cada dos semanas para garantizar un rendimiento eficiente. En hogares con animales, es posible que sea necesario limpiar los filtros de aire con más frecuencia y es posible que sea necesario limpiar las rejillas externas para evitar el bloqueo del flujo de aire.

Para acceder al filtro:

1. Sostenga la manguera de escape, empújela ligeramente hacia atrás y luego levántela.
2. Quite el filtro.



ALMACENAMIENTO A LARGO PLAZO

1. Vacíe todo el agua del aparato.
2. Haga funcionar el aparato en modo ventilador durante medio día en una habitación caliente para secar el interior del aparato y evitar la formación de moho.
3. Apague el aparato y desenchúfelo, enrolle el cable y fíjelo con cinta adhesiva.
4. Retire las pilas del mando a distancia.
5. Limpie los filtros de aire y vuelva a instalarlos.
6. Guarde el aparato en un lugar fresco y oscuro. La exposición prolongada a la luz solar directa o al calor extremo puede acortar la vida útil del aparato.

ELIMINACIÓN DE DESECHOS

Este aparato no debe ser tratado como una basura doméstica normal. Compruebe la conformidad reglamentaria local con respecto a la eliminación aprobada y segura de este aparato.

CÓDIGOS DE ERROR

P1 - la bandeja de agua está llena - conecte la manguera de drenaje y drene el exceso de agua

EC52: falla del sensor T3 de temperatura del tubo exterior

EC54: falla del sensor de temperatura de escape exterior

EH61: falla del sensor T2 de temperatura del tubo interior

Si aparece cualquier otro código de error en la pantalla, desenchufe el aire acondicionado y déjelo reposar sin ser molestado durante 5 minutos. Si el código de error persiste cuando la unidad se vuelve a enchufar, comuníquese con el servicio al consumidor.

PREGUNTAS FRECUENTES

¿Puedo dejar mi aire acondicionado en su lugar durante el invierno?

No, no se recomienda dejar el kit de ventana puesto durante el invierno.

¿Cuál es la clasificación eléctrica?

Esta información se puede encontrar en la placa de características ubicada en el costado de la unidad.

¿Puedo usar un cable de extensión?

No, no se puede usar un cable de extensión.

¿Cuándo debo usar la manguera de escape?

La manguera de escape debe usarse en los modos frío, calor y automático. No es necesario en los modos ventilador y seco.

¿Puedo extender la longitud de la manguera de escape?

No, extender la longitud de la manguera de escape puede hacer que el aire acondicionado funcione de manera menos eficiente. En su lugar, utilice un ventilador adicional para llevar el aire frío a otros lugares.

¿Cuándo debo usar la manguera de drenaje?

La manguera de drenaje debe usarse en modo calor, modo seco o si se usa el drenaje continuo.

¿De dónde saco el agua?

Hay dos opciones de drenaje diferentes en este acondicionador de aire, consulte la sección de drenaje de agua.

SOLUCIÓN DE PROBLEMAS

El aire acondicionado no funcionará

- El enchufe no está completamente insertado en el tomacorriente de la pared.
- Fusible fundido o disyuntor.

Refrigeración insuficiente

- El filtro de aire está sucio.
- Flujo de aire bloqueado.
- El tamaño del aparato es demasiado pequeño para la aplicación.

Ruido

- El suelo no está nivelado.
- El filtro de aire está sucio u obstruido.
- Los sonidos de gorgoteo son normales, esto es refrigerante moviéndose dentro del aparato.

Hedor

- Por lo general, causado por la formación de moho o hongos en las superficies húmedas internas.
- Asegúrese de que el filtro esté limpio.
- Haga funcionar el acondicionador de aire en modo ventilador para eliminar la humedad interna.
- Compruebe si hay obstrucciones en las líneas de drenaje y asegúrese de que no haya obstrucciones.
- Coloque una tableta de algicida en la bandeja base; asegúrese de que el aparato esté desenchufado, retire la rejilla superior y el filtro, coloque la tableta en la bandeja de agua del medio y vuelva a colocar la rejilla y el filtro.

AP que se muestra en la pantalla

- AP significa "punto de acceso" y está relacionado con la función de conexión inalámbrica.
- Si no va a utilizar una conexión inalámbrica, mantenga presionado el botón giratorio y la flecha hacia abajo durante 3 segundos para desactivar el modo de conexión inalámbrica AP.
- El modo AP desaparecerá automáticamente después de 8 minutos.

Garantía limitada “a domicilio”

Este producto de calidad está garantizado contra defectos de fabricación, incluyendo partes y mano de obra, siempre y cuando la unidad se utilice bajo las condiciones normales de funcionamiento para las que fue diseñado. Esta garantía está solamente disponible para la persona que haya comprado originalmente esta unidad directamente de Danby Products Limited (Canada) o Danby Products Inc. (U.S.A.) (en adelante “Danby”) o uno de sus distribuidores autorizados, y no es transferible.

Condiciones

Las piezas plásticas, se autorizan por treinta (30) días solamente a partir de la fecha de la compra, sin las extensiones proporcionadas.

Primeros 24 meses Durante los primeros veinticuatro (24) meses, cualquier parte en buen estado de este producto que resulte defectuosa, incluyendo cualquier sistema sellado, será reparado o reemplazado, a opción del fabricante, sin cargo para el comprador original.

Para obtener servicio Comuníquese con el distribuidor donde haya comprado la unidad, o llame al Taller de Servicio Autorizado más cercano, donde debe ser reparada por un técnico calificado. Si esta unidad es reparada en otro lugar que no sea un Taller de Servicio Autorizado, o si la unidad se utiliza para aplicaciones comerciales, Danby no se hará responsable de ninguna forma y la garantía será anulada.

Límites del servicio técnico a domicilio Danby se reserva el derecho de limitar la cobertura de “Servicio en Domicilio” sujeto a la proximidad de un Taller de Servicio Autorizado. Para todo artefacto que requiera servicio fuera del área limitada de “Servicio en Domicilio”, el cliente será responsable por transportar dicho artefacto hasta el Taller de Servicio Autorizado más cercano. Si el electrodoméstico está instalado en un lugar que se encuentra a 100 kilómetros (62 millas) o más del centro de servicios más cercano, se debe llevar la unidad al Centro de servicios Danby autorizado más cercano, ya que dicho servicio sólo puede realizarlo un técnico calificado y certificado por Danby para prestar servicios de garantía. Los cargos por transporte desde y hacia el lugar en que se efectúe el servicio técnico no están cubiertos por esta garantía y son de responsabilidad del comprador.

Exclusiones

Salvo lo aquí indicado por Danby, no existen otras garantías, condiciones o representaciones, explícitas o implícitas, concretas o intencionales por parte de Danby o sus distribuidores autorizados y todas las demás garantías, condiciones o representaciones, incluyendo cualquier garantía, condiciones o representaciones bajo cualquier Acta de Venta de Productos o legislación o estatuto similar, quedan de esta forma expresamente excluidas. Salvo lo aquí indicado, Danby no serán responsables por ningún daño a personas o bienes, incluyendo la propia unidad, sin importar su causa, o de ningún daño indirecto causado por el desperfecto de la unidad, y al comprar esta unidad, el comprador acepta por la presente, indemnizar y proteger a Danby contra cualquier reclamo por daños a personas o bienes causados por la unidad.

Disposiciones generales

No se considerará ninguna de estas garantías o seguros cuando el daño o la necesidad de reparación sea el producto de los siguientes casos:

1. Falla del suministro eléctrico.
2. Daños en tránsito o durante el transporte de la unidad.
3. Alimentación incorrecta, como bajo voltaje, instalación eléctrica defectuosa o fusibles inadecuados.
4. Accidente, modificación, abuso o uso incorrecto del artefacto, tal como insuficiente ventilación del ambiente o condiciones de operación anormales (temperatura ambiente extremadamente alta o baja).
5. Utilización comercial o industrial (v.g., si el electrodoméstico no está instalado en una vivienda particular).
6. Incendio, daños por agua, robo, guerra, disturbios, hostilidades, actos de fuerza mayor como huracanes, inundaciones, etc.
7. Pedidos de servicio debido a desinformación del usuario.
8. Instalación inadecuada (v.g., instalación empotrada de un electrodoméstico diseñado como unidad independiente o uso de un electrodoméstico al aire libre que no esté aprobado para dicho fin, incluyendo pero no limitado a: garajes, patios, porches o en cualquier lugar que no esté bien aislado o controlado por el clima).

Se requerirá una prueba de la fecha de compra para las reclamaciones de garantía; conserve las facturas de venta. En caso de que se requiera servicio de garantía, presente la prueba de compra en nuestro centro de servicio autorizado.

Danby^{®/MD}
Do the right thing.

Danby Products Limited, Guelph, Ontario, Canada N1H 6Z9

Danby Products Inc. Findlay, Ohio, U.S.A. 45840

www.danby.com

