

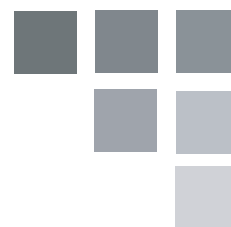


OWNER'S USE AND CARE GUIDE  
GUIDE D'UTILISATION ET D'ENTRETIEN

PORTABLE AIR CONDITIONER  
CLIMATISEUR PORTATIF

MODEL • MODÈLE

DPA100E1BDB / DPA100E1WDB  
DPA120E1BDB / DPA120E1WDB





**TO OBTAIN WARRANTY SERVICE YOU MUST PROVIDE A VALID PROOF OF PURCHASE. PLEASE STAPLE YOUR RECEIPT TO THIS PAGE FOR FUTURE REFERENCE.**

---

**POUR OBTENIR LE SERVICE SUR GARANTIE, VOUS DEVEZ FOURNIR UNE PREUVE D'ACHAT VALIDE. VEUILLEZ AGRAFER VOTRE REÇU À CETTE PAGE POUR RÉFÉRENCE FUTURE.**

### **IMPORTANT - GROUNDING METHOD**

This product is factory equipped with a power supply cord that has a three-pronged grounded plug. It must be plugged into a mating grounding type receptacle in accordance with the National Electrical Code and applicable local codes and ordinances. If the circuit does not have a grounding type receptacle, it is the responsibility and obligation of the customer to exchange the existing receptacle in accordance with the National Electrical Code and applicable local codes and ordinances. The third ground prong should not, under any circumstances, be cut or removed. Never use the cord, the plug or the appliance when they show any sign of damage. Do not use your appliance with an extension cord unless it has been checked and tested by a qualified electrician or electrical supplier. Improper connection of the grounding plug can result in risk of fire, electric shock and/or injury to persons associated with the appliance. Check with a qualified service representative if in doubt that the appliance is properly grounded.

### **IMPORTANT - MÉTHODE POUR LA MISE À LA TERRE**

Ce produit arrive d'origine avec un cordon d'alimentation équipé d'une prise à trois fiches. Il doit être branché dans une prise avec une fiche de mise à la terre en conformité avec le Code national de l'électricité et les codes et règles locaux applicables. Si la prise murale n'a pas de mise à la terre, il est de la responsabilité et l'obligation du client de changer la prise existante pour la rendre conforme au Code national de l'électricité et aux codes et règles locaux applicables. La fiche de mise à la terre ne doit pas, en aucune circonstance, être coupée ou retirée. Si vous apercevez des signes de dommage, n'utilisez jamais le cordon d'alimentation, la prise ou l'appareil. N'utilisez jamais l'appareil avec une rallonge sauf si elle a été vérifiée et testée par un électricien qualifié ou un fournisseur de matériel électrique. Une fiche de mise à la terre mal branchée peut entraîner un risque d'incendie, de choc électrique ou de blessures aux personnes qui utilisent l'appareil. Si vous n'êtes pas certain que l'appareil est correctement mis à la terre, consultez un réparateur du service qualifié.

# CONTENTS / TABLE DES MATIÈRES

## PORTABLE AIR CONDITIONER

Owner's Use and Care Guide .....1-14

- Welcome
- Important Safety Information
- Features
- Installation Instructions
- Operation Instructions
- Care and Maintenance
- Troubleshooting
- Warranty

## CLIMATISEUR PORTATIF

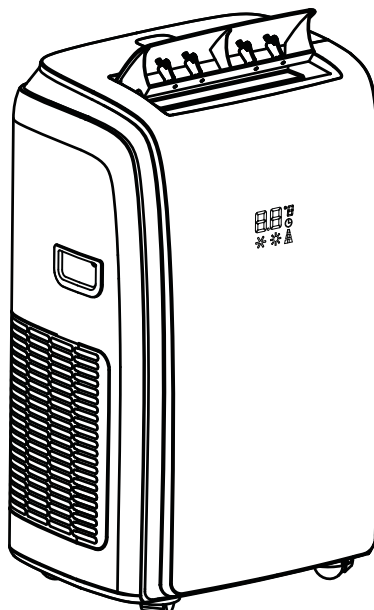
Guide d'utilisation et d'entretien.....15-28

- Bienvenue
- Consignes de sécurité importantes
- Caractéristiques
- Consignes d'installation
- Consignes d'utilisation
- Soins et entretien
- Dépannage
- Garantie

Read and follow all safety rules and operating instructions before first use of this product.

---

Veillez lire attentivement les consignes de sécurité et les instructions d'utilisation avant l'utilisation initiale de ce produit.



Model • Modèle

DPA100E1BDB / DPA120E1BDB / DPA100E1WDB / DPA120E1WDB

# Welcome

Welcome to the Danby family. We are proud of our quality products, and we believe in dependable service. We suggest that you read this Owner's Manual before plugging in your new appliance as it contains important operational information, safety information, troubleshooting and maintenance tips to ensure the reliability and longevity of your appliance. Visit [www.Danby.com](http://www.Danby.com) to access self-service tools, FAQs and much more. For additional assistance call 1-800-263-2629.

**Note the information below; you will need this information to obtain service under warranty.  
To receive service, you must provide the original receipt.**

<b>Model Number:</b>	_____
<b>Serial Number:</b>	_____
<b>Date of Purchase:</b>	_____

## NEED HELP?

Before you call for service, here are a few things you can do to help us serve you better:

**Read this Owner's Use and Care Guide:**

It contains instructions to help you use and maintain your appliance properly.

**If you received a damaged appliance:**

Immediately contact the retailer (or builder) that sold you the appliance.

**Save time and money:**

Check the Troubleshooting section at the end of the guide before calling. This section helps you solve common problems that may occur.

If you do need service, you can relax, knowing help is only a phone call away.





## Important Safety Information

### READ AND FOLLOW ALL SAFETY INSTRUCTIONS

**To prevent injury to the user or other people and property damage, the following instructions must be followed. Incorrect operation resulting from ignoring these instructions may cause harm or damage.**

#### ALWAYS DO THIS

- ✓ Your air conditioner should be used in such a way that it is protected from moisture. e.g. condensation, splashed water, etc. Do not place or store your air conditioner where it can fall or be pulled into water or any other liquid. Unplug unit immediately if this occurs.
- ✓ Always transport your air conditioner in a vertical position and place on a stable, level surface during use. If the unit is transported laying on its side it should be stood up and left unplugged for 6 hours.
- ✓ Turn off the unit when not in use.
- ✓ Always contact a qualified person to perform repairs. If the power cord is damaged it must be repaired by a qualified technician.
- ✓ Keep the unit away from walls, furniture and curtains with a clearance of at least 30 cm all around.
- ✓ If the air conditioner is knocked over during use, turn off the unit and unplug it immediately.
- ✓ Always use the switch on the control panel to turn the unit on or off.

#### NEVER DO THIS

- ✗ Do not operate your air conditioner in a wet room such as a bathroom or laundry room.
- ✗ Do not touch the unit with wet or damp hands.
- ✗ Do not press the buttons on the control panel with anything other than your fingers.
- ✗ Do not remove any fixed components. Never use this appliance if it is not working properly, or if it has been dropped or damaged.
- ✗ Never use the plug to start and stop the unit.
- ✗ Do not cover or obstruct the inlet or outlet grilles.
- ✗ Do not use hazardous chemicals to clean or come into contact with the unit. Do not use the unit in the presence of inflammable substances or vapour such as alcohol, insecticides, gasoline, etc.
- ✗ Do not allow children to operate the unit unsupervised.
- ✗ Do not use this product for functions other than those described in this instruction manual.



## Important Safety Information

### READ AND FOLLOW ALL SAFETY INSTRUCTIONS

To prevent injury to the user or other people and property damage, the following instructions must be followed. Incorrect operation resulting from ignoring these instructions may cause harm or damage.

#### ENERGY SAVING TIPS

- Use the unit in the recommended room size.
- Locate the unit where furniture cannot obstruct the air flow.
- Keep blinds/curtains closed during the sunniest part of the day.
- Keep the filters clean.
- Keep doors and windows closed to keep cool air in and warm air out (cooling mode)

#### OPERATING CONDITIONS

The air conditioner must be operated within the temperature range indicated below:

MODE	ROOM TEMPERATURE
COOL	18°C (64°F) ~ 35°C (95°F)
DRY	18°C (64°F) ~ 35°C (95°F)

*Note: Performance may be reduced outside of these operating temperatures.*

#### TOOLS FOR WINDOW KIT INSTALLATION

1. Screwdriver (medium size, Phillips)
2. Tape measure or ruler
3. Knife or scissors
4. Saw (In the event that the window kit needs to be cut down in size)  
See [www.danby.com](http://www.danby.com) for general instruction guide



## Identifying Parts

### ELECTRICAL INFORMATION

#### WARNING

- Be sure the electrical supply is adequate for the model you have chosen. This information can be found on the serial plate, which is located on the side of the cabinet and behind the grille.
- Be sure the air conditioner is properly grounded. To minimize shock and fire hazards, proper grounding is important. The power cord is equipped with a three-prong grounding plug for protection against shock hazards.
- Your air conditioner must be used in a properly grounded wall receptacle. If the wall receptacle you intend to use is not adequately grounded or protected by a time delay fuse or circuit breaker, have a qualified electrician install the proper receptacle.
- Ensure the receptacle remains accessible after the unit is installed.
- Do not store or use gasoline or other flammable vapours and liquids in the vicinity of this or any other appliance.
- Avoid fire hazard or electric shock. Do not use an extension cord or an adaptor plug. Do not remove any prong from the power cord.



# Identifying Parts

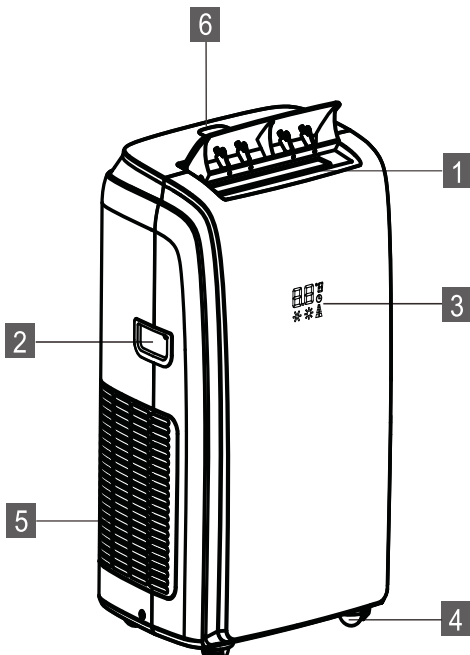
## ACCESSORIES

PARTS	PART NAME	QUANTITY
	<ul style="list-style-type: none"> <li>Exhaust hose and adaptor</li> <li>Window kit</li> <li>Screws</li> <li>Foam Seal Type A</li> <li>Foam Seal Type B</li> </ul>	1 set
	<ul style="list-style-type: none"> <li>Castor lock</li> </ul>	1 set
	<ul style="list-style-type: none"> <li>Remote control</li> <li>Battery</li> </ul>	1 set

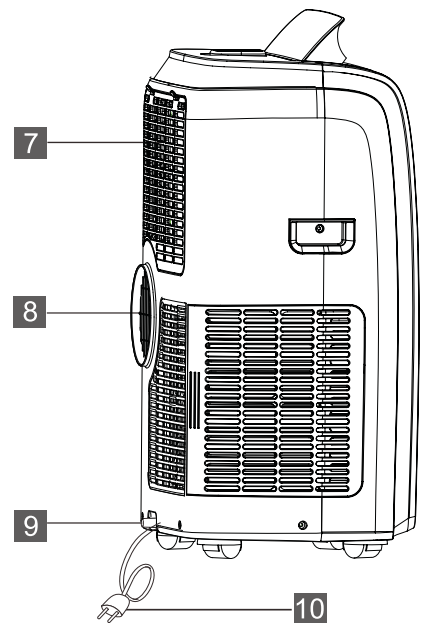
- Ensure that all the accessories are included in the package and refer to the installation instructions for their usage.

**Note:** All the illustrations in this manual are for explanatory purposes only. Your air conditioner may be slightly different

## UNIT STRUCTURE



- Air outlet grill
- Handle (both sides)
- LED Display
- Castor
- Air intake grill
- Control Panel
- Air intake grill
- Air outlet
- Drainage outlet
- Power cord



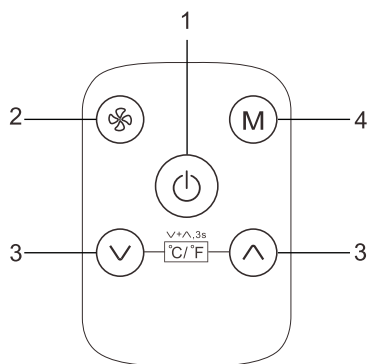
# Features

## ELECTRONIC CONTROL INSTRUCTIONS

Before you begin, thoroughly familiarize yourself with the control panel and remote control and all its functions. Select the functions you desire based on the associated symbol.

The unit can be controlled by the control panel alone or with the remote control.

**Note:** This manual does not include Remote control Operation. See the Remote control Instructions packed with the unit for this information.



- 1 POWER button**  
Turns power on/off.
- 2 FAN button**  
Controls the fan speed. Press to toggle between three fan speeds, Maximum, Medium and Low
- 3 ^ v UP and DOWN buttons**  
Used to adjust (increase / decrease) temperature settings (1°C/1°F increments) in a range of 18°C(64°F) to 32°C(90°F) or the TIMER setting in a range of 1~24hrs. The control is capable of displaying temperature in degrees Fahrenheit or degrees Celsius. \*Converting from °C to °F can be done using the remote control by pressing the °C/°F button.
- 4 MODE select button**  
Selects the appropriate operating mode. Each time you press the button, a mode is selected in a sequence that goes from COOL, DRY, and FAN. The mode indicator light illuminates depending on the mode settings.

### LED DISPLAY

Shows the set temperature in °C or °F (to toggle between °C and °F press the °C/°F button on the remote control).

### Error codes:

**LT** - Low Temperature. The unit will defrost. The appliance will start again once defrosting is complete.

**PF** - Probe failure, call for service.

**FT** - Tank is full - Connect the drain hose and drain the collected water away. If error repeats, call for service.



# Operating Instructions

## OPERATING MODES

### COOL mode

- Press the “M” button until the “✱” indicator comes on.
- Press the UP or DOWN arrow buttons to select your desired room temperature. The temperature can be set within a range of 18°C-32°C / 64°F-90°F.
- Press the “✪” button to choose the fan speed.

Note: The hose should be exhausted in COOL mode.

### FAN operation

- Press the “M” button until the “≡≡” indicator appears.
- Press the “✪” button to choose the fan speed.

#### Maximum Speed



#### Medium Speed



#### Low Speed



### DRY mode

- Press the “M” button until the “☼” indicator appears.
- Press the “✪” button to choose the fan speed.

Note: The hose should be exhausted in DRY mode.

Note: To switch the temperature from °C to °F, press the °C/°F button on the remote.

## POWER OUTAGE


In the case of a power outage or interruption, the unit will automatically re-start with the last setting after the power is restored.

### Wait 3 minutes before resuming operation

After the unit has stopped, it cannot operate for the first 3 minutes. This is to protect the unit. Operation of the compressor will automatically start after 3 minutes.

## AIR FLOW DIRECTION ADJUSTMENT

### Adjust the air flow direction automatically (Fig. 4):

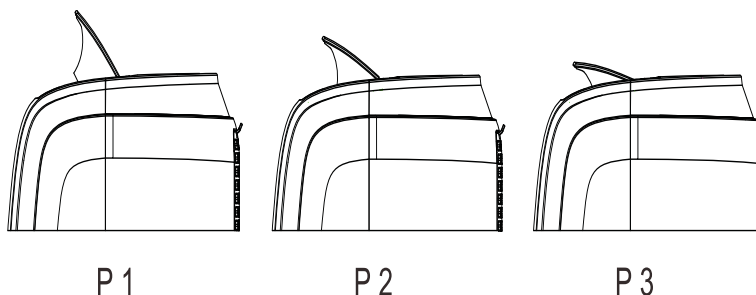
- The louver can be adjusted automatically, to change the airflow direction. (Fig.4)
- When the power is ON, the louver opens fully.
- Press the SWING button  on the remote control to initiate the swing feature.
- The swing feature has 3 positions plus auto, P1, P2, P3 and auto swing.

### Please do not adjust the louver manually.

Note: Auto swing means the swing will be continuous.

Note: This function is available on the remote control only.

Fig. 4





# Installation Instructions

## LOCATION

- The air conditioner should be placed on a firm foundation to minimize noise and vibration. For safe and secure positioning, place the unit on a smooth, level floor strong enough to support the unit.
- The unit has casters to aid placement, but it should only be rolled on smooth, flat surfaces. Use caution when rolling on carpeted surfaces. Use caution and protect floors when rolling over wood floors. Do not attempt to roll the unit over objects.
- The unit must be placed within reach of a properly rated grounded socket.
- Never place any obstacles around the air inlet or outlet of the unit.
- Allow at least 30 cm of space away from the wall for efficient air conditioning.

## WINDOW SLIDER KIT INSTALLATION

Your window slider kit has been designed to fit most standard vertical and horizontal window applications, however, it may be necessary for you to modify some aspects of the installation procedures for certain types of windows. The window slider kit can be fastened with a screw (see Fig. 8)

**NOTE:** If the window opening is less than the minimum length of the window slider kit, cut the end without the hole in it short enough to fit in the window opening. Never cut out the hole in window slider kit ([visit www.danby.com](http://www.danby.com) for general instruction videos).

Fig.5

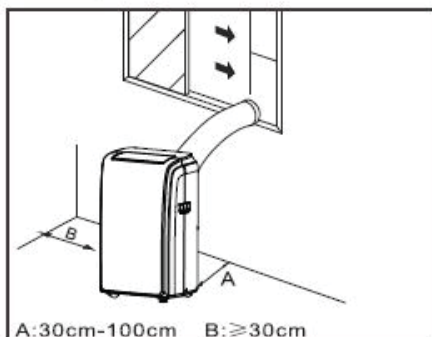


Fig.6

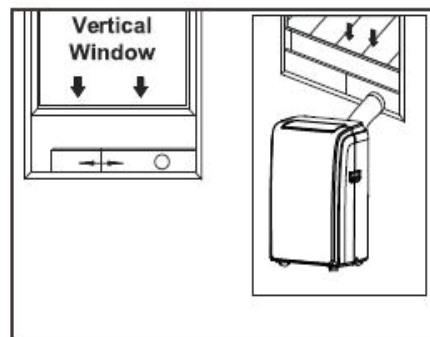


Fig.7

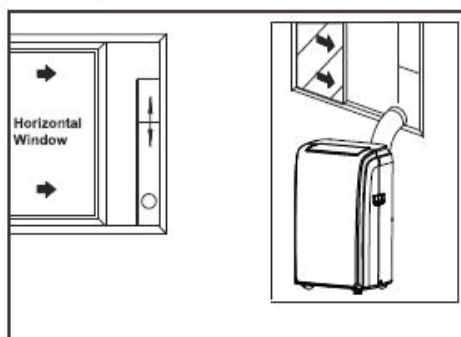
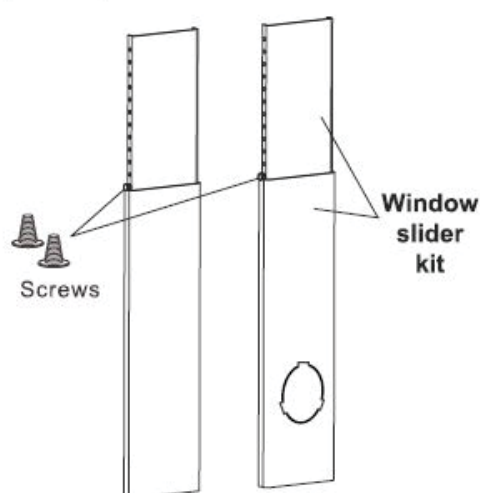


Fig.8

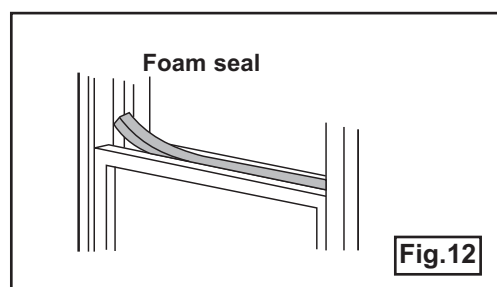
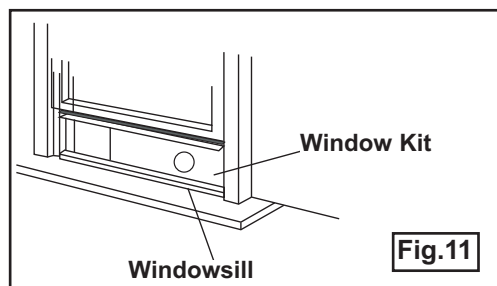
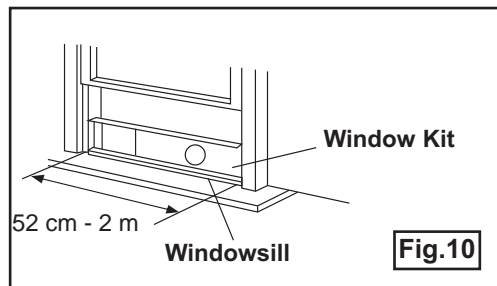
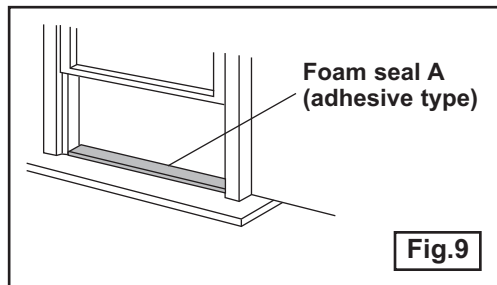




# Installation Instructions

## INSTALLATION IN A DOUBLE-HUNG SASH WINDOW

1. Measure the adhesive foam seal to fit the windowsill. Cut the foam seal to the proper length and attach it to the windowsill. **Fig.9**
2. Adjust the length of the window slider kit to fit the width of the window.
3. Open the window sash and place the window slider kit on the windowsill. **Fig.10**
4. Cut the foam seal (adhesive type) to the proper length and attach it on the top of the window. **Fig.11**
5. Close the window sash securely against the window.
6. Cut the foam seal to an appropriate length and seal the open gap between the top window sash and outer window sash. Shown in **Fig.12**.

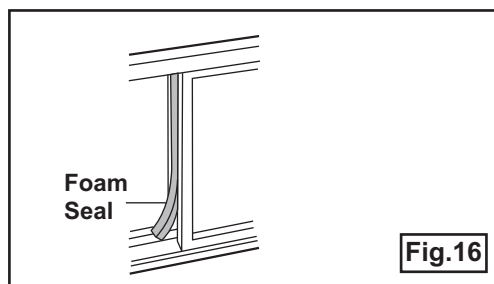
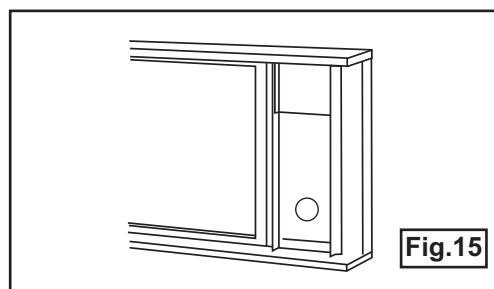
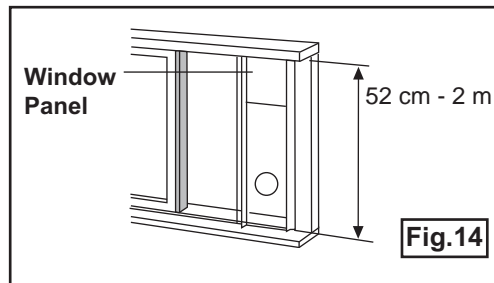
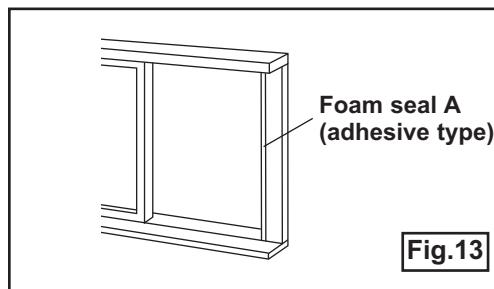




# Installation Instructions

## INSTALLATION IN A SLIDING SASH WINDOW

1. Measure the adhesive foam seal to fit the windowsill. Cut the foam seal (adhesive type) to the proper length and attach it to the window frame. **Fig. 13**
2. Adjust the length of the window slider kit according to the height of the window, shorten the adjustable window kit if the height of the window slider is less than the opening. Open the window sash and place the window slider kit on the windowsill. **Fig. 14**
3. Cut the foam seal (adhesive type) to the proper length and attach it to the top of the window. **Fig. 15**
4. Close the sliding sash securely against the window.
5. Cut the foam seal to an appropriate length and seal the open gap between the top window sash and outer window sash. **Fig. 16**





# Installation Instructions

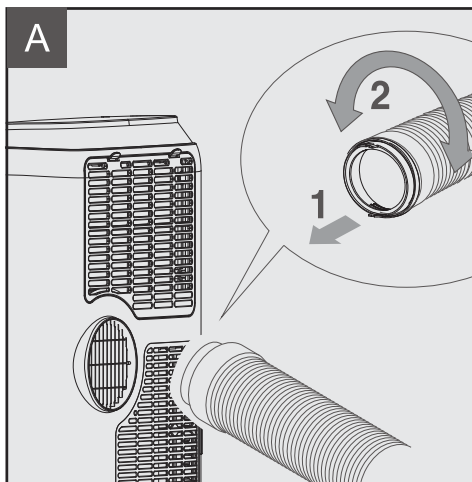
## EXHAUST HOSE INSTALLATION

The exhaust hose and adaptor must be installed or removed in accordance with the usage mode.

COOL, DRY or AUTO mode	Install
FAN	Remove

1. Install the window exhaust adaptor onto the exhaust hose as shown in **Fig. A**. Refer to the previous pages for window kit installation.
  2. Insert the exhaust hose into the rear air outlet opening **Fig. A**.
- The hose can be compressed or extended moderately according to the installation requirement, but it is desirable to keep the hose length to a minimum.

**IMPORTANT: Do not over bend the hose.**





# Installation Instructions

## WATER DRAINAGE

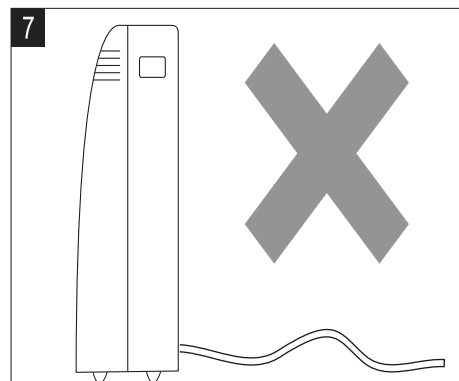
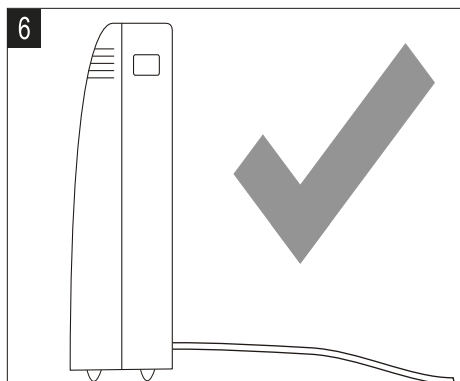
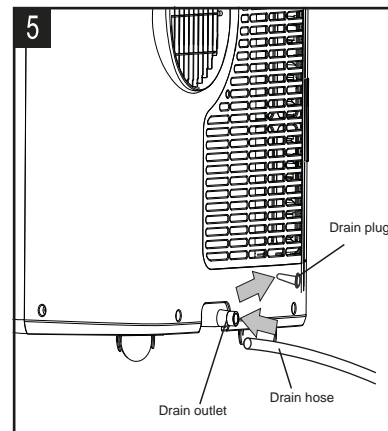
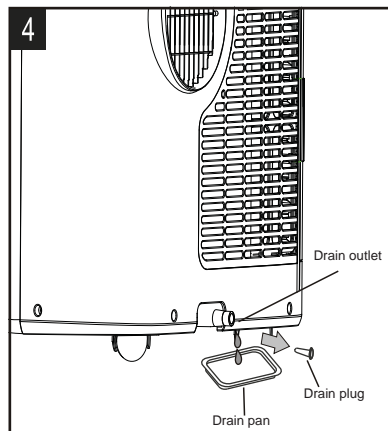
- During DRY modes, remove the drain plug from the back of the unit, attach the drain hose to the hole. Place the open end of the hose directly over the drain area in your basement floor. **Fig. 5**
- For small amounts of water, remove the drain plug and place a pan under the drain outlet. **Fig. 4**

**NOTE:** Make sure the hose is secure so there are no leaks. Direct the hose toward the drain, making sure that there are no kinks that will stop the water from flowing. Place the end of the hose into the drain and make sure the end of the hose is down to let the water flow smoothly. **Fig. 6** Never raise it. **Fig. 7**

**NOTE:** When operating or draining water, always protect carpeting or floors from possible water spillage.

**NOTE:** Be sure to reinstall the bottom drain plug before using the unit.

**NOTE:** Drain hose not included.





## Care and Maintenance

### IMPORTANT

1. Be sure to unplug the unit before cleaning or servicing.
2. Do not use gasoline, paint thinner or other chemicals to clean the unit.
3. Do not wash the unit directly under a tap or using a hose. It may cause electrical damage.
4. If the power cord is damaged, contact the service depot immediately.

## AIR FILTER

Clean the air filter at least once every two weeks. Accumulation of dust will hinder fan operation.

### REMOVAL

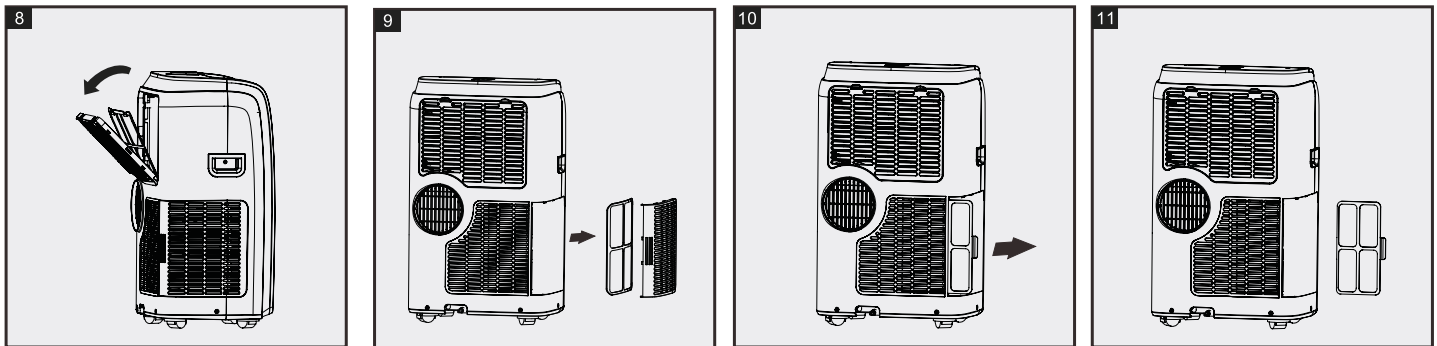
This unit has three filters. Pull the upper grill out in the direction of the arrow (Fig. 8) and slide the filter out. Remove the lower filters by removing the grill and then sliding it out the side in the direction of the arrow (Fig. 9-11).

### CLEANING

1. Wash the air filter by submerging it gently in warm water (below 40°C / 104° F) with a neutral detergent.
2. Rinse the filter and let it dry.

### REINSTALL

Install the upper air filter after cleaning, and install the lower filters after. \*Filters must be dry before installing\*



## UNIT ENCLOSURE

Use a lint-free cloth soaked with neutral detergent to clean the unit enclosure, be sure to wring the cloth of excess water. Finish by wiping with a clean dry cloth.

## LONG-TERM STORAGE

- Remove the rubber plug at the back of the unit and attach a hose to the drain outlet. Place the open end of the hose directly over the drain area in your basement floor.
- Remove the plug from the bottom drain outlet, this means that all the water in the bottom drain tray will drain out.
- Keep the appliance running on FAN mode for half a day in a warm room to dry the appliance inside and prevent mold formation.
- Turn off the appliance and unplug it, wrap the cord and bundle it with tape.
- Remove the batteries from the remote control.
- Clean the air filter and reinstall it.

PROBLEM	POSSIBLE CAUSE	SOLUTION
<b>Unit does not start when pressing on/off button</b>	<ul style="list-style-type: none"> <li>• FT appears in the display window</li> <li>• Room temperature is lower than the set temperature. (Cooling mode)</li> </ul>	<ul style="list-style-type: none"> <li>• Drain the water in the bottom tray</li> <li>• Reset the temperature</li> </ul>
<b>Not cool enough</b>	<ul style="list-style-type: none"> <li>• The windows or doors in the room are not closed</li> <li>• There are heat sources inside the room</li> <li>• Exhaust air hose is not connected or blocked</li> <li>• Temperature setting is too high</li> <li>• Air filter is blocked by dust</li> </ul>	<ul style="list-style-type: none"> <li>• Make sure all the windows and doors are closed</li> <li>• Remove the heat sources if possible</li> <li>• Connect the hose and make sure it can function properly</li> <li>• Decrease the set temperature</li> <li>• Clean the air filter</li> </ul>
<b>Noisy or vibration</b>	<ul style="list-style-type: none"> <li>• The ground is not level or not flat enough</li> </ul>	<ul style="list-style-type: none"> <li>• Place the unit on a flat, level ground if possible</li> </ul>
<b>Gurgling sound</b>	<ul style="list-style-type: none"> <li>• The sound comes from the flowing of the refrigerant inside the air conditioner</li> </ul>	<ul style="list-style-type: none"> <li>• It is normal</li> </ul>

## DISPOSAL

Check for local regulatory compliance regarding the approved and safe disposal of this appliance.

## LIMITED IN-HOME APPLIANCE WARRANTY

This quality product is warranted to be free from manufacturer's defects in material and workmanship, provided that the unit is used under the normal operating conditions intended by the manufacturer.

This warranty is available only to the person to whom the unit was originally sold by Danby Products Limited (Canada) or Danby Products Inc. (U.S.A.) (hereafter "Danby") or by an authorized distributor of Danby, and is non-transferable.

### TERMS OF WARRANTY

Plastic parts, are warranted for thirty (30) days only from purchase date, with no extensions provided.

*First year* During the first twelve (12) months, any functional parts of this product found to be defective, will be repaired or replaced, at warrantor's option, at no charge to the ORIGINAL purchaser.

*To obtain service* Danby reserves the right to limit the boundaries of "In Home Service" to the proximity of an Authorized Service Depot. Any appliance requiring service outside the limited boundaries of "In Home Service", it will be the consumer's responsibility to transport the appliance (at their own expense) to the original retailer (point of purchase) or a service depot for repair. See "Boundaries of In Home Service" below. Contact your dealer from whom your unit was purchased, or contact your nearest authorized Danby service depot, where service must be performed by a qualified service technician. If service is performed on the units by anyone other than an authorized service depot, or the unit is used for commercial application, all obligations of Danby under this warranty shall be void.

*Boundaries of in-home service* If the appliance is installed in a location that is 100 kilometres (62 miles) or more from the nearest service centre your unit must be delivered to the nearest authorized Danby Service Depot, as service must only be performed by a technician qualified and certified for warranty service by Danby. Transportation charges to and from the service location are not protected by this warranty and are the responsibility of the purchaser.

Nothing within this warranty shall imply that Danby will be responsible or liable for any spoilage or damage to food or other contents of this appliance, whether due to any defect of the appliance, or its use, whether proper or improper.

### EXCLUSIONS

Save as herein provided, by Danby, there are no other warranties, conditions, representations or guarantees, express or implied, made or intended by Danby or its authorized distributors and all other warranties, conditions, representations or guarantees, including any warranties, conditions, representations or guarantees under any Sale of Goods Act or like legislation or statute is hereby expressly excluded. Save as herein provided, Danby shall not be responsible for any damages to persons or property, including the unit itself, howsoever caused or any consequential damages arising from the malfunction of the unit and by the purchase of the unit, the purchaser does hereby agree to indemnify and hold harmless Danby from any claim for damages to persons or property caused by the unit.

### GENERAL PROVISIONS

No warranty or insurance herein contained or set out shall apply when damage or repair is caused by any of the following:

- 1) Power failure.
- 2) Damage in transit or when moving the appliance.
- 3) Improper power supply such as low voltage, defective house wiring or inadequate fuses.
- 4) Accident, alteration, abuse or misuse of the appliance such as inadequate air circulation in the room or abnormal operating conditions (extremely high or low room temperature).
- 5) Use for commercial or industrial purposes (i.e., If the appliance is not installed in a domestic residence).
- 6) Fire, water damage, theft, war, riot, hostility, acts of God such as hurricanes, floods etc.
- 7) Service calls resulting in customer education.
- 8) Improper Installation (i.e., building-in of a free standing appliance or using an appliance outdoors that is not approved for outdoor application). Proof of purchase date will be required for warranty claims; so, please retain bills of sale. In the event warranty service is required, present this document to our AUTHORIZED SERVICE DEPOT.

**Warranty Service**  
In-home

Danby Products Limited  
PO Box 1778, Guelph, Ontario, Canada N1H 6Z9  
Telephone: (519) 837-0920 FAX: (519) 837-0449

**1-800-263-2629**  
07/14

Danby Products Inc.  
PO Box 669, Findlay, Ohio, U.S.A. 45840  
Telephone: (419) 425-8627 FAX: (419) 425-8629

# Bienvenue

Bienvenue dans la famille Danby. Nous sommes fiers de la qualité de nos produits et nous croyons en le service fiable. Nous vous suggérons de lire ce manuel d'utilisation avant de brancher votre nouvel appareil car il contient des informations importantes sur l'utilisation, la sécurité, le dépannage et la maintenance, afin d'assurer la fiabilité et la longévité de votre appareil. Visitez [www.Danby.com](http://www.Danby.com) pour accéder aux outils d'autoservice, aux FAQ et bien plus encore. Pour obtenir de l'aide supplémentaire, composez le 1-800-263-2629.

**Veillez noter les informations ci-dessous; ces renseignements seront nécessaires si votre appareil a besoin d'entretien ou pour les demandes de renseignements généraux. Pour bénéficier d'une opération de maintenance ou de dépannage, le reçu original sera exigé.**

**Numéro de modèle :** \_\_\_\_\_

**Numéro de série :** \_\_\_\_\_

**Date d'achat :** \_\_\_\_\_

## BESOIN D'ASSISTANCE ?

Veillez trouver quelques conseils avant de faire appel à nos services, cela nous aidera à mieux vous servir :

### **Lisez ce guide :**

Il comprend des instructions pour l'utilisation et l'entretien adapté de votre appareil.

### **Si votre nouvel appareil est endommagé :**

Contactez immédiatement le revendeur (ou le fabricant).

### **Gagnez du temps et de l'argent :**

Avant de faire appel à nos services, consultez à nouveau la section « Dépannage ». Cette section vous aidera à résoudre des problèmes courants.

Si une réparation est nécessaire, ne vous inquiétez pas, la solution est au bout du fil.



1-800-26- **Danby**  
(1-800-263-2629)



## Consignes de sécurité importantes

**LISEZ TOUTE L'INFORMATION DE SÉCURITÉ AVANT UTILISATION**

**Pour votre sécurité : Lisez ces instructions attentivement avant d'utiliser l'appareil et conservez-les afin de pouvoir vous y référer ultérieurement.**

### SUIVEZ TOUJOURS CES CONSIGNES

- ✓ L'appareil doit être utilisé dans un endroit à l'abri de l'humidité, comme la condensation, les éclaboussures d'eau, etc. Ne le placez pas dans un endroit où il pourrait tomber dans l'eau ou d'autres liquides.
- ✓ Transportez toujours l'appareil en position verticale. Utilisez-le sur une surface stable et de niveau. Si l'appareil est transporté, couché, il faudra le remettre en position verticale et le garder débranché pendant 6 heures.
- ✓ Éteignez le produit s'il n'est pas utilisé.
- ✓ Faites faire toute réparation par un technicien qualifié. Si le cordon d'alimentation est endommagé, il doit être réparé par un technicien qualifié.
- ✓ Laissez un espace libre d'au moins 30 cm (1 pied) autour de l'appareil (p.ex., des murs, des meubles et des rideaux) pour permettre une bonne circulation de l'air.
- ✓ Si le climatiseur tombe alors qu'il est en marche, éteindre l'appareil et le débrancher immédiatement.
- ✓ Utilisez toujours l'interrupteur du panneau de commande pour éteindre l'appareil ou le mettre en marche.

### MISES EN GARDE

- ⊗ Ne faites pas fonctionner le climatiseur dans une pièce humide, comme une salle de bain ou de lavage
- ⊗ Ne touchez pas à l'appareil les mains mouillées ou humides
- ⊗ N'appuyez sur les boutons du panneau de commande qu'avec les doigts
- ⊗ Ne retirez pas les couvercles fixes. N'utilisez jamais cet appareil s'il fonctionne mal ou s'il a été échappé ou endommagé
- ⊗ Ne couvrez pas les grilles d'entrée ou de sortie, et ne les obstruez pas
- ⊗ Ne nettoyez pas cet appareil à l'aide de produits, chimiques dangereux. Ne les mettez pas en contact avec l'appareil
- ⊗ N'utilisez pas cet appareil en présence de substances inflammables comme l'alcool, les insecticides, le gaz, l'essence, etc.
- ⊗ Ne laissez pas les enfants utiliser cet appareil sans surveillance
- ⊗ N'utilisez pas ce produit pour des fonctions autres que celles décrites dans ce guide



## Consignes de sécurité importantes

**LISEZ TOUTE L'INFORMATION DE SÉCURITÉ AVANT UTILISATION**

**Pour votre sécurité: Lisez ces instructions attentivement avant d'utiliser l'appareil et conservez-les afin de pouvoir vous y référer ultérieurement.**

### ÉCONOMISEZ L'ÉNERGIE

- Utilisez l'appareil dans des pièces des dimensions recommandées.
- Placez l'appareil dans un endroit où les meubles n'obstruent pas la circulation d'air.
- Fermez les stores et rideaux pendant les moments les plus ensoleillés de la journée.
- Gardez le filtre de l'appareil propre.
- Fermez les portes et les fenêtres pour garder l'air froid à l'intérieur et l'air chaud à l'extérieur.

### CONDITIONS DE FONCTIONNEMENT

Le climatiseur doit être utilisé à l'intérieur de la plage de température qui figure ci-dessous :

MODE	TEMPÉRATURE DE LA PIÈCE
REFROIDISSEMENT	18°C (62° F) ~ 35°C (95°F)
DÉSHUMIDIFICATION	18°C (62°F) ~ 35°C (95°F)

*Remarque : Une température hors de ces plages peut réduire le rendement.*

### OUTILS POUR L'INSTALLATION DE LA TROUSSE POUR FENÊTRE

1. Tournevis (moyen, à lame plate)
2. Ruban à mesure ou règle
3. Couteau ou ciseaux
4. Scie (si la trousse pour fenêtre doit être coupée)  
Voir [www.danby.com](http://www.danby.com) pour obtenir un guide d'instructions pour l'installation générale.



## Identification des pièces

### RENSEIGNEMENTS RELATIFS À L'ÉLECTRICITÉ



#### AVERTISSEMENT

- Assurez-vous que l'alimentation en électricité correspond au modèle que vous avez choisi. Ces informations sont disponibles sur la plaque signalétique, qui se trouve sur côté du châssis et derrière la grille.
- Assurez-vous que le climatiseur est correctement mis à la terre. Une mise à la terre correcte est importante pour minimiser les risques de choc et de feu. Le cordon d'alimentation est muni d'une prise de mise à la terre à trois broches pour vous protéger contre les risques de choc.
- Votre climatiseur doit être branché sur une prise murale correctement mise à la terre. Si la prise murale que vous prévoyez utiliser n'est pas mise à la terre correctement ou protégée par un fusible à fusion lente ou un disjoncteur, demandez à un électricien qualifié d'installer la bonne prise.
- Assurez-vous que la prise sera accessible après l'installation de l'appareil.
- Ne conservez et n'utilisez ni essence, ni vapeurs ou substances liquides inflammables à proximité de cet appareil ou de tout autre appareil.
- Évitez les risques de feu ou de choc électrique. N'utilisez pas de rallonge ou d'adaptateur. N'enlevez pas de broche sur le cordon d'alimentation.



## Identification des pièces

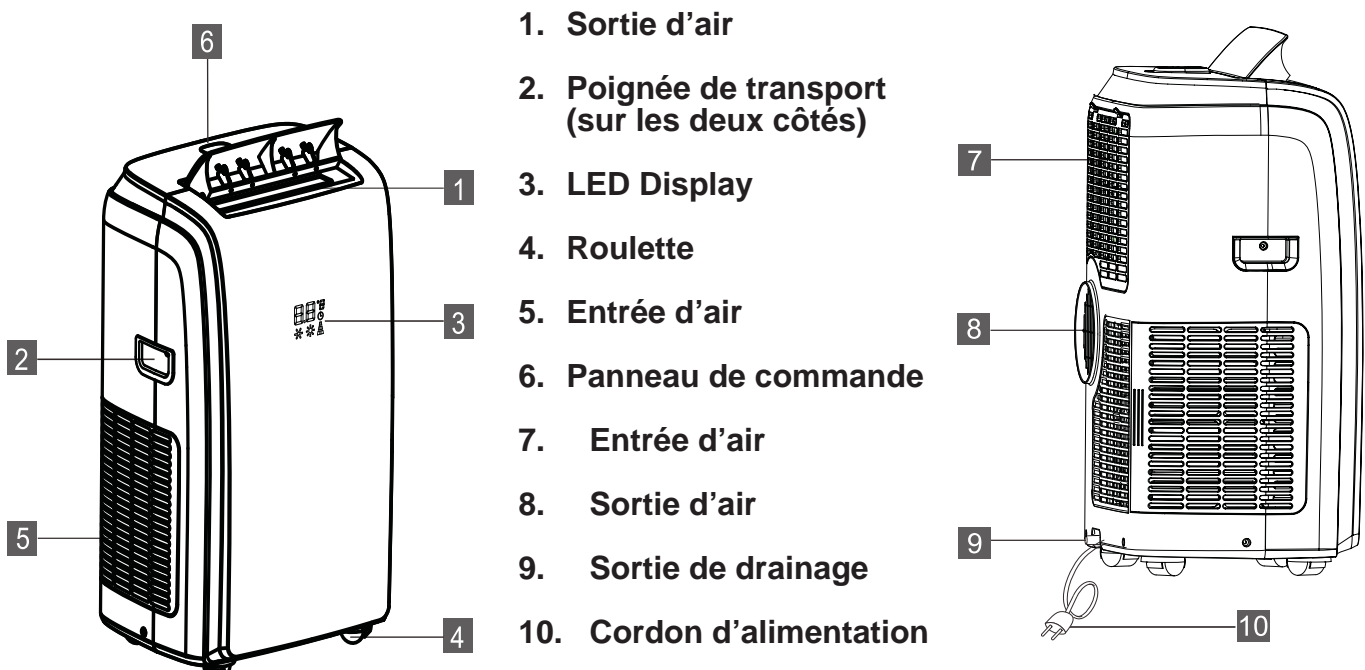
### ACCESSOIRES

PIÈCES	NOM DES PIÈCES	QUANTITÉ
	<ul style="list-style-type: none"> <li>Tuyau d'évacuation et adaptateur</li> <li>Trousse de glissière pour fenêtre</li> <li>Vis</li> <li>Joint en mousse A</li> <li>Joint en mousse B</li> </ul>	1 ensemble
	<ul style="list-style-type: none"> <li>Tuyau de vidange</li> </ul>	1 ensemble
	<ul style="list-style-type: none"> <li>Télécommande</li> </ul>	1 ensemble

- Assurez-vous que tous les accessoires sont inclus dans l'emballage et consultez la notice d'installation pour connaître leur utilisation.

**REMARQUE :** Toutes les illustrations contenues dans ce manuel servent à des fins d'explication seulement. Votre climatiseur peut être légèrement différent. La forme réelle aura préséance.

### STRUCTURE DE L'APPAREIL





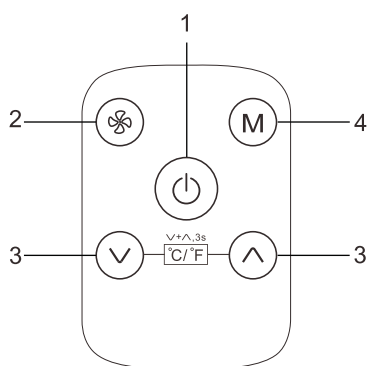
## Caractéristiques

### INSTRUCTIONS RELATIVES AUX COMMANDES ÉLECTRONIQUES

Avant de commencer, familiarisez-vous avec le panneau de commande et la télécommande et toutes leurs fonctions, puis suivez le symbole correspondant à la fonction désirée.

L'appareil peut être commandé par le panneau de commande seulement ou par la télécommande.

**Remarque :** Ce manuel ne comprend pas les fonctions de la télécommande, voir les « Instructions relatives à la télécommande »



#### ❶ Bouton POWER (MARCHE/ARRÊT)

Allume/éteint l'appareil.

#### ❷ Bouton FAN (VENTILATEUR)

Contrôle la vitesse du ventilateur. Appuyez sur ce bouton pour sélectionner la vitesse du ventilateur dans l'ordre suivant : maximum, moyenne et basse.

#### ❸ ▲ ▼ Boutons PLUS et MOINS

Utilisés pour régler (augmenter/diminuer) les réglages de température (intervalles de 1°C/2°F) sur une plage de 18°C/64°F à 32°C (90°F), ou les réglages du minuteur sur une plage de 1 à 24 heures. La commande peut afficher la température en degrés Fahrenheit ou en degrés Celsius. \*Pour changer de °C vers °F il est nécessaire d'utiliser la télécommande.

#### ❹ Bouton de sélection du MODE

Permet de sélectionner le mode de fonctionnement approprié. Chaque fois que vous appuyez sur le bouton, un mode est sélectionné dans l'ordre suivant : AUTO, COOL, (REFROIDISSEMENT), DRY (DÉSHUMIDIFICATION et FAN (VENTILATEUR). L'indicateur de mode correspondant au mode sélectionné s'allume.

#### Affichage à DEL

Indique la température réglée en °C ou °F (\*Pour changer de °C vers °F il est nécessaire d'utiliser la télécommande.

#### Codes d'erreur :

- *LT – Température trop basse. L'unité se met à dégivrer. L'appareil se remettra en marche lorsque le dégivrage est fini.*
- *PF – Panne de la sonde, appelez au service.*
- *FT – Le réservoir est plein – raccordez le tuyau de drainage et videz l'eau collectée. Si le message d'erreur réapparaît, appelez au service.*



# Consignes d'utilisation

## MODE D'EMPLOI

### Fonction REFROIDISSEMENT

- Appuyez sur le bouton « M » jusqu'à ce que l'indicateur lumineux « ✱ » s'allume.
- Appuyez sur les boutons flèche ascendante ou descendante pour sélectionner la température de la pièce que vous désirez. La température peut être réglée entre 18°C et 32°C (64°F à 90°F).
- Appuyez sur le bouton « ✿ » pour sélectionner la vitesse du ventilateur.

Remarque : Le tuyau doit être épuisé en mode « REFROIDISSEMENT ».

### Fonction VENTILATEUR

- Appuyez sur le bouton « M » jusqu'à ce que l'indicateur lumineux « ☰ » s'allume.
- Appuyez sur le bouton « ✿ » pour sélectionner la vitesse du ventilateur.



### Fonction DÉSHUMIDIFICATION

- Appuyez sur le bouton « M » jusqu'à ce que l'indicateur lumineux « ⌘ » s'allume.
- Appuyez sur le bouton « ✿ » pour sélectionner la vitesse du ventilateur.

Remarque : Le tuyau doit être épuisé en mode « DÉSHUMIDIFICATION ».

Remarque : Pour passer la température de °C à °F, appuyez sur la bouton °C/°F de la télécommande.

## PANNE DE COURANT

En cas de panne ou d'interruption du courant, l'appareil se remet automatiquement en marche, selon les derniers réglages utilisés, après le rétablissement du courant.

**Attendez 3 minutes avant de reprendre le fonctionnement.**

Après l'arrêt de l'appareil, il ne peut pas être remis en marche dans les 3 minutes qui suivent le rétablissement du courant. Cette caractéristique sert à protéger l'appareil. Le fonctionnement du compresseur reprendra automatiquement au bout de 3 minutes.

**Ajustez la direction du courant d'air automatiquement (Fig. 4) :**

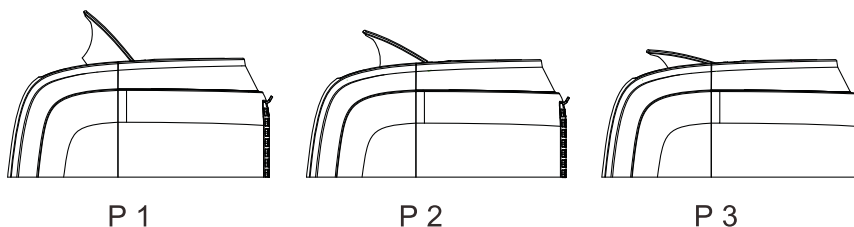
- Les déflecteurs peuvent être ajustés automatiquement pour changer la direction du courant d'air. Fig. 4
- Lorsque l'appareil est en marche, les déflecteurs sont complètement ouverts.
- Appuyez sur le bouton de la télécommande pour activer la fonction d'auto swing (oscillant automatique).
- Les déflecteurs peuvent être réglés en trois positions, ainsi que l'option d'oscillation automatique : P1, P2, P3 et « oscillation auto ».

**Ne pas régler le déflecteur manuellement.**

**Remarque :** Lorsque le climatiseur est en mode « oscillation automatique » la direction du courant d'air se change constamment.

**Remarque :** Cette fonction est disponible sur la télécommande seulement.

Fig. 4





# Consignes d'installation

## EMPLACEMENT

- Le climatiseur doit être placé sur une fondation solide pour minimiser le bruit et les vibrations. Pour la sûreté, placez l'appareil sur un plancher lisse et de niveau, assez fort pour le supporter.
- L'appareil est doté de roulettes pour faciliter son déplacement. Il ne doit être roulé que sur des surfaces lisses et planes. Soyez prudent lorsque vous roulez sur des tapis. Ne roulez pas l'appareil par-dessus des objets. Soyez prudent et protégez les planchers en bois si vous faites rouler l'appareil dessus.
- L'appareil doit être utilisé à distance d'une prise homologuée et mise à la terre, ne dépassant pas la longueur du cordon d'alimentation.
- Ne placez jamais d'obstacles autour de l'entrée ou de la sortie d'air de l'appareil.
- Laissez au moins 30 cm (1 pi) d'espace libre entre le mur et l'appareil afin de permettre une climatisation efficace.

## INSTALLATION DE LA TROUSSE DE GLISSIÈRE POUR FENÊTRE

Votre trousse de glissière pour fenêtre est conçue pour s'adapter à la plupart des fenêtres à ouverture horizontale ou verticale. Toutefois, vous devrez peut-être improviser ou modifier certains aspects des procédures d'installation pour certains types de fenêtres. Veuillez consulter la Fig. 6 et la Fig. 7 pour obtenir les ouvertures maximales et minimales des fenêtres. La trousse de glissière pour fenêtre peut être fixée au moyen d'une vis (Fig. 8)

**REMARQUE :** Si l'ouverture de la fenêtre est inférieure à la longueur minimale indiquée pour la trousse de glissière pour fenêtre, coupez celle qui contient un trou pour qu'elle entre dans l'ouverture de la fenêtre. Ne coupez jamais la section de la trousse de glissière pour fenêtre où se trouve le trou. (Voir [www.danby.com](http://www.danby.com) pour obtenir une vidéo d'instructions générales.)

Fig.5

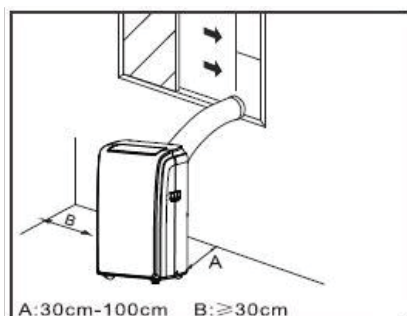


Fig.6

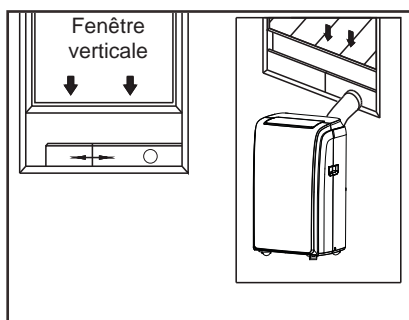


Fig.7

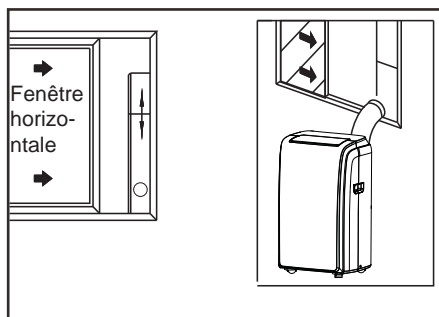
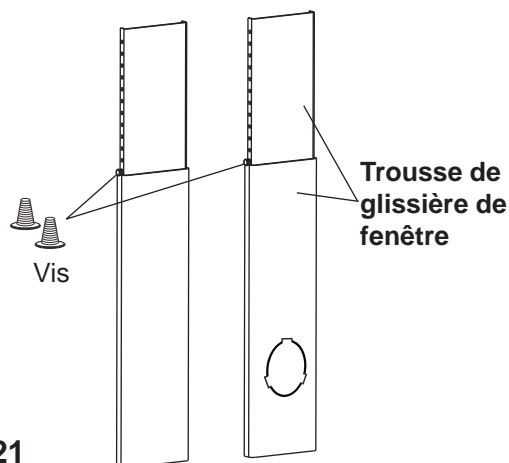


Fig.8

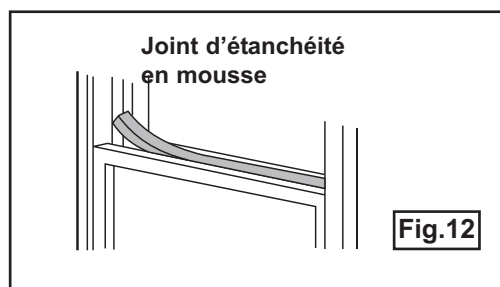
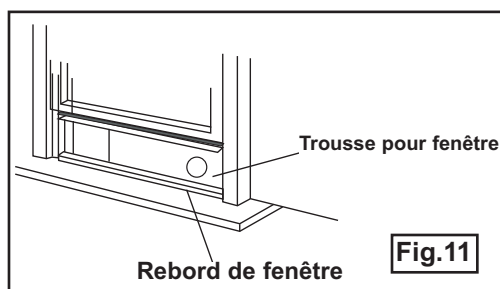
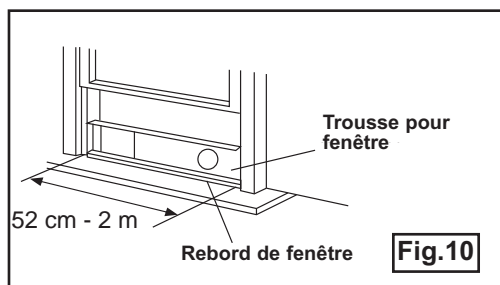
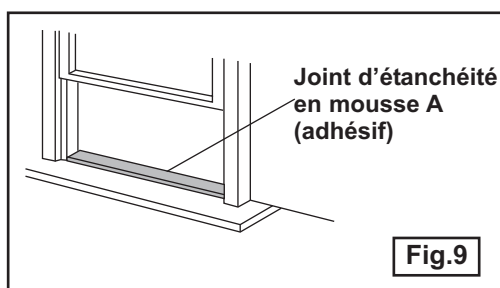




## Consignes d'installation

### INSTALLATION DANS UNE FENÊTRE À GUILLOTINE DOUBLE

1. Mesurer le joint adhésif en mousse à la longueur du rebord de la fenêtre. Coupez le joint d'étanchéité en mousse (adhésif) à la longueur appropriée et fixez-le au rebord de la fenêtre. Fig. 9.
2. Fixez la trousse de glissière pour fenêtre au rebord de la fenêtre. Ajustez la longueur de la trousse de glissière pour fenêtre en fonction de la largeur de la fenêtre; raccourcissez la trousse réglable pour fenêtre si la largeur de la fenêtre est inférieure à 72 cm (28.3 pouces). Ouvrez le châssis de fenêtre et posez la trousse de glissière pour fenêtre sur le rebord de la fenêtre. Fig. 10.
3. Coupez le joint d'étanchéité en mousse (adhésif) à la longueur appropriée et fixez-le au dessus de la fenêtre. Tel qu'illustré dans la fig. 11.
4. Fermez bien le châssis de fenêtre.
5. Coupez le joint d'étanchéité en mousse à la longueur appropriée et scellez l'espace ouvert entre le châssis supérieur et le châssis extérieur de la fenêtre. Tel qu'illustré dans la fig. 12.

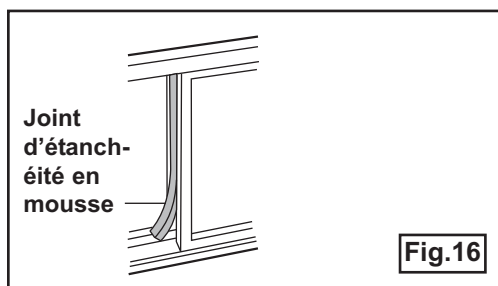
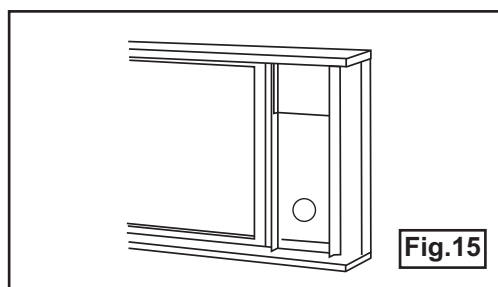
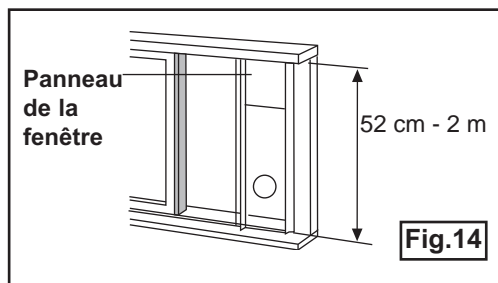
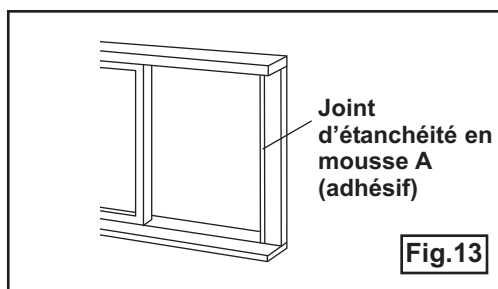




## Consignes d'installation

### INSTALLATION DANS UNE FENÊTRE COULISSANTE

1. Coupez le joint d'étanchéité en mousse (adhésif) à la longueur appropriée et fixez-le au cadre de la fenêtre. Voir fig. 13.
2. Fixez la trousse de glissière pour fenêtre au rebord de la fenêtre. Ajustez la longueur de la trousse de glissière pour fenêtre en fonction de la hauteur de la fenêtre est inférieure à 72 cm (28.3 pouces). Ouvrez le châssis de fenêtre et posez la trousse de glissière pour fenêtre sur le rebord de la fenêtre. Voir fig. 14.
3. Coupez le joint d'étanchéité en mousse (adhésif) à la longueur appropriée et fixez-le au dessus de la fenêtre, tel qu'illustré à la fig. 15
4. Fermez bien la fenêtre coulissante.
5. Coupez le joint d'étanchéité en mousse à la longueur appropriée et scellez l'espace ouvert entre le châssis supérieur et le châssis extérieur de la fenêtre, tel qu'illustré à la fig. 16.





## Consignes d'installation

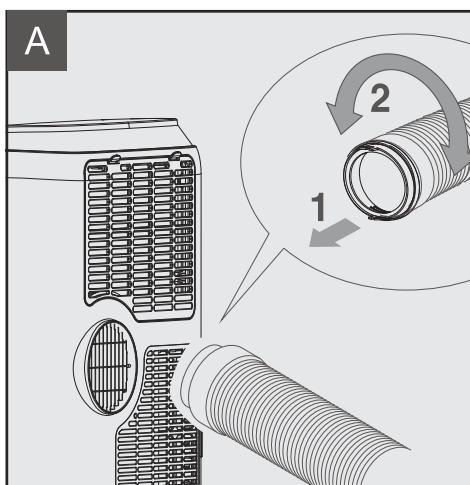
### INSTALLATION DU TUYAU D'ÉVACUATION

Le tuyau d'évacuation et l'adaptateur doivent être installés ou enlevés, selon le mode d'utilisation.

Mode REFROIDISSEMENT, DÉSHUMIDIFICATION ou AUTOMATIQUE	Installer
Mode VENTILATEUR	Enlever

1. Installez l'adaptateur d'évacuation pour fenêtre dans le tuyau d'évacuation, tel qu'illustré dans la fig. A. Reportez-vous aux pages précédentes pour l'installation de la trousse pour fenêtre.
  2. Insérez le tuyau d'évacuation dans l'ouverture de sortie de l'air, voir Fig. A.
- La conduite peut être légèrement comprimée ou étirée selon les besoins de l'installation, mais il est préférable d'en réduire la longueur au minimum.

**AVERTISSEMENT: Ne pas trop plier la conduite.**





# Consignes d'installation

## DRAINAGE DE L'EAU

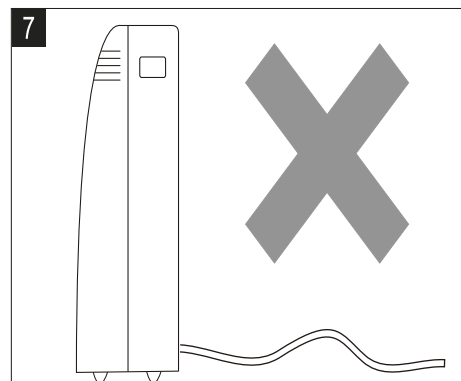
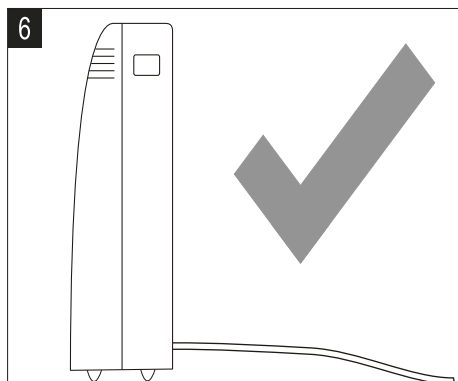
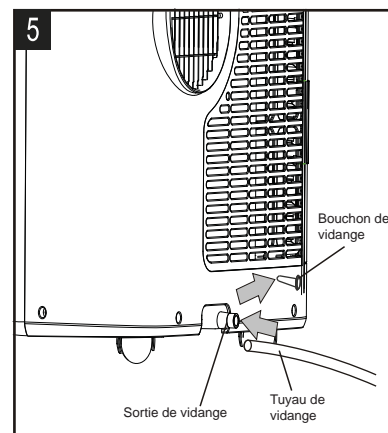
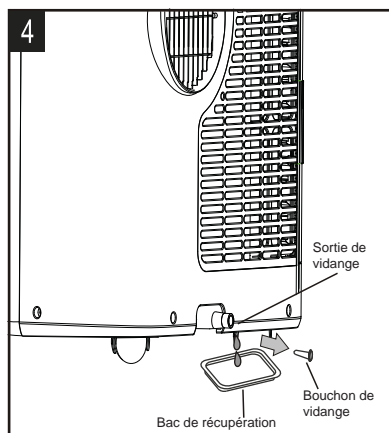
- En mode déshumidification, enlevez le supérieur bouchon de drainage A de l'arrière de l'appareil, fixez directement le tuyau à l'orifice. Placez l'extrémité ouverte du tuyau directement au-dessus de drain qui se trouve dans le plancher de votre sous-sol. Veuillez-vous référer à la fig. 5.
- Pour de petites quantités d'eau, retirez le bouchon de vidange et placez un récipient sous la sortie de vidange dans la fig. 4.

**REMARQUE:** S'assurer que le tuyau soit bien fixé pour éviter toute fuite. Diriger le tuyau vers le drain, s'assurer que le tuyau ne soit pas entortillé pour freiner le débit de l'eau. Mettre le tuyau dans le drain et s'assurer que le bout soit droit et dirigé vers le bas pour laisser couler l'eau. (Voir fig. 6). Ne jamais le lever (Voir fig. 7)

**REMARQUE :** Lors du fonctionnement ou du drainage de l'eau, protégez toujours les tapis et les planchers des renversements d'eau possibles.

**REMARQUE :** Avant d'utiliser l'appareil, assurez-vous de reposer le bouchon du drain du bas.

**REMARQUE :** Tuyau de vidange non inclus.





## Soins et entretien

### AVERTISSEMENT

1. Veillez à débrancher l'appareil avant de le nettoyer ou de procéder à son entretien.
2. N'utilisez pas d'essence, de diluant ou d'autres produits chimiques pour nettoyer l'appareil.
3. Ne lavez pas l'appareil directement sous le robinet ou à l'aide d'un tuyau : vous pourriez vous électrocuter ou causer un incendie.
4. Si le cordon d'alimentation est endommagé, il doit être réparé par le fabricant ou l'un de ses représentants de l'entretien.

### FILTRE À AIR

Comme le filtre accumule et expulse de la poussière, il doit être nettoyé toutes les deux semaines pour assurer le fonctionnement de qualité supérieure du ventilateur.

#### RETRAIT DU FILTRE À AIR

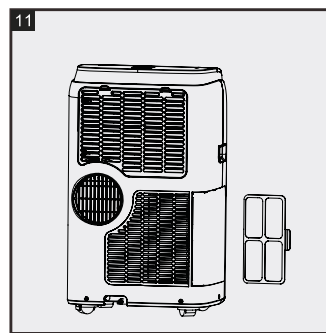
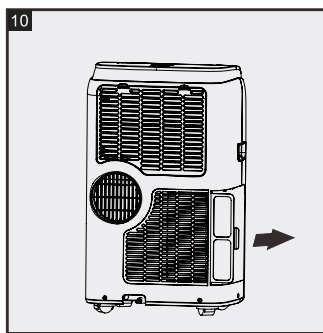
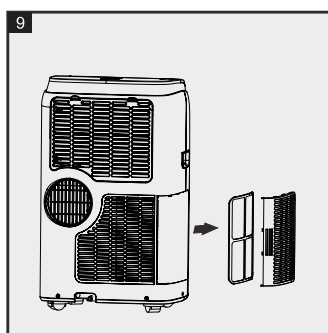
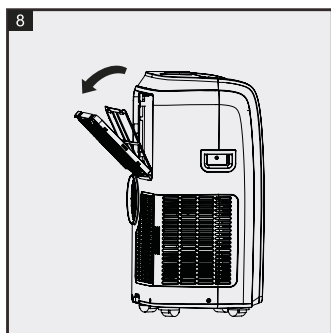
Cette unité est dotée de trois filtres à air. Tirez la grille supérieure dans le sens indiqué par la flèche (Fig. 8) et glissez le filtre à air pour l'enlever de l'unité. Pour enlever le filtre inférieur, enlevez d'abord la grille, puis glissez le filtre latéralement dans le sens indiqué par la flèche (Fig. 9-11).

#### NETTOYAGE DU FILTRE À AIR

1. Nettoyez le filtre à air en l'immergeant dans l'eau tiède (en dessous 40°C/104°F) contenant un détergent doux.
2. Rincez le filtre et séchez-le dans un endroit ombragé.

#### REMPACEMENT

Après le nettoyage, installez le filtre à air du haut et ensuite celui du bas. \*Avant d'installer, les filtres doivent être secs.\*



### ENCEINTE DE L'APPAREIL

Pour nettoyer l'enceinte de l'appareil, servez-vous d'un chiffon non pelucheux trempé dans un détergent neutre, assurez-vous d'aspirer le tissu de l'excès d'eau. Finissez le nettoyage en essuyant l'appareil avec un chiffon propre et sec.

### ENTREPOSAGE À LONG TERME

- Enlevez le bouchon en caoutchouc qui se trouve à l'arrière de l'appareil, puis raccordez un tuyau à l'orifice de drainage. Placez l'extrémité ouverte du tuyau directement au-dessus du drain qui se trouve dans le plancher de votre sous-sol.
- Enlevez le bouchon de l'orifice de sortie inférieur : toute l'eau contenue dans le plateau inférieur se videra.
- Faites fonctionner l'appareil en mode VENTILATEUR pendant un demi-journée dans une pièce chaude pour sécher l'intérieur de l'appareil et empêcher la formation de moisissure.
- Arrêtez l'appareil et débranchez-le, enrroulez le cordon et attachez-le au moyen du ruban adhésif.
- Retirez les piles de la télécommande.
- Nettoyez le filtre à air et remettez-le en place.

PROBLÈME	CAUSE POSSIBLE	SOLUTION
<b>L'appareil ne se met pas en marche après une pression sur le bouton Marche/Arrêt</b>	<ul style="list-style-type: none"> <li>• FT apparaît dans l'afficheur</li> <li>• La température de la pièce est inférieure à la température réglée (mode refroidissement)</li> </ul>	<ul style="list-style-type: none"> <li>• Drainez l'eau du plateau inférieur</li> <li>• Réglez la température à nouveau</li> </ul>
<b>Pas assez frais</b>	<ul style="list-style-type: none"> <li>• Les portes ou les fenêtres de la pièce ne sont pas fermées</li> <li>• Il y a des sources de chauffage dans la pièce</li> <li>• La conduite d'évacuation n'est pas raccordée ou est bloquée</li> <li>• La température est réglée à une température trop élevée</li> <li>• Le filtre à air est bloqué par la poussière</li> </ul>	<ul style="list-style-type: none"> <li>• Assurez-vous que toutes les portes et les fenêtres sont fermées</li> <li>• Si possible, enlevez les sources de chaleur</li> <li>• Raccordez la conduite et assurez-vous qu'elle fonctionne correctement</li> <li>• Diminuez la température réglée</li> <li>• Nettoyez le filtre à air</li> </ul>
<b>Bruits ou vibrations</b>	<ul style="list-style-type: none"> <li>• Le sol n'est pas horizontal ou assez plat</li> </ul>	<ul style="list-style-type: none"> <li>• Si possible, posez l'appareil sur une surface plate et horizontale</li> </ul>
<b>Gargouillis</b>	<ul style="list-style-type: none"> <li>• Ce son provient du mouvement du fluide frigorigène dans le climatiseur</li> </ul>	<ul style="list-style-type: none"> <li>• C'est normal</li> </ul>
<b>Power shuts off in heating mode</b>	<ul style="list-style-type: none"> <li>• The automatic overheat protection function. When the temperature at the air outlet exceeds 70°C/158°F, the device will stop</li> </ul>	<ul style="list-style-type: none"> <li>• Turn on again after the unit has cooled down. Reduce temperature setting.</li> </ul>

## MISE AU REBUT

Vérifiez le respect des réglementations locales concernant la mise au rebut approuvée et sécurisée de cet appareil.

## GARANTIE LIMITÉE SUR APPAREIL ÉLECTROMÉNAGER À DOMICILE

Cet appareil de qualité est garanti exempt de tout vice de matière première et de fabrication, s'il est utilisé dans les conditions normales recommandées par le fabricant.

Cette garantie n'est offerte qu'à l'acheteur initial de l'appareil vendu par Danby Products Limited (Canada) ou Danby Products Inc. (E.- U.A.) (ci-après « Danby ») ou par l'un des ses distributeurs agréés et elle ne peut être transférée.

### CONDITIONS

Les pièces en plastique sont garanties pendant trente (30) jours seulement à partir de la date de l'achat, sans aucune prolongation prévue.

*Premiers 12 mois* Pendant les premiers douze (12) mois, toutes les pièces fonctionnelles de ce produit qui s'avèrent défectueuses seront réparées ou remplacées, selon le choix du garant, sans frais à l'acheteur INITIAL.

*Pour bénéficier du service* Le client sera responsable pour le transport et tous les frais d'expédition de tout appareil exigeant le service au dépôt de service autorisé le plus proche. S'adresser au détaillant qui a vendu l'appareil, ou à la station technique agréée de service la plus proche, où les réparations doivent être effectuées par un technicien qualifié. Si les réparations sont effectuées par quiconque autre que la station de service agréée où à des fins commerciales, toutes les obligations de Danby en vertu de cette garantie seront annulées.

*Limites de l'entretien à domicile* Si l'appareil est installé à plus de 100 kilomètres (62 milles) du centre de service le plus proche, il doit être livré à l'atelier de réparation autorisé par Danby le plus proche, car l'entretien doit uniquement être réalisé par un technicien qualifié et certifié pour effectuer un entretien couvert par la garantie de Danby. Les frais de transport entre votre domicile et le lieu de l'entretien ne sont pas couverts par la présente garantie et doivent être acquittés par l'acheteur.

Aucune partie de la garantie ne prévoit implicitement que le fabricant sera tenu responsable des dommages subis par les aliments ou d'autres types de contenu, qu'ils soient causés par la défectuosité de l'appareil ou par son usage adéquat ou inadéquat.

### EXCLUSIONS

En vertu de la présente, il n'existe aucune autre garantie, condition ou représentation, qu'elle soit exprimée ou tacite, de façon manifeste ou intentionnelle, par Danby ou ses distributeurs agréés. De même, sont exclues toutes les autres garanties, conditions ou représentations, y compris les garanties, conditions ou représentations en vertu de toute loi régissant la vente de produits ou de toute autre législation ou règlement semblables. En vertu de la présente, Danby ne peut être tenue responsable en cas de blessures corporelles ou des dégâts matériels, y compris à l'appareil, quelle qu'en soit les causes. Danby ne peut pas être tenue responsable des dommages indirects dus au fonctionnement défectueux de l'appareil. En achetant l'appareil, l'acheteur accepte de mettre à couvert et de dégager Danby de toute responsabilité en cas de réclamation pour toute blessure corporelle ou tout dégât matériel causé par cet appareil.

### CONDITIONS GÉNÉRALES

La garantie ou assurance ci-dessus ne s'applique pas si les dégâts ou réparations sont dus aux cas suivants :

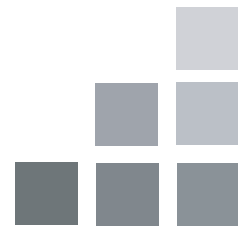
- 1) Panne de courant.
- 2) Dommages subis pendant le transport ou le déplacement de l'appareil.
- 3) Alimentation électrique incorrecte (tension faible, câblage défectueux, fusibles incorrects).
- 4) Accident, modification, emploi abusif ou incorrect de l'appareil tel qu'une circulation d'air inadéquate dans la pièce ou des conditions de fonctionnement anormales (température extrêmement élevée ou basse).
- 5) Utilisation dans un but commercial ou industriel (à savoir, si l'appareil n'est pas installé dans un domicile résidentiel).
- 6) Incendie, dommages causés par l'eau, vol, guerre, émeute, hostilités, cas de force majeure (ouragan, inondation, etc.).
- 7) Visites d'un technicien pour expliquer le fonctionnement de l'appareil au propriétaire.
- 8) Installation inappropriée (par exemple, encastrement d'un appareil autoportant, ou utilisation extérieure d'un appareil non conçu à cet effet). Une preuve d'achat doit être présentée pour toute demande de réparation sous garantie. Prière de garder le reçu. Pour faire honorer la garantie, présenter ce document à la station technique agréée ou s'adresser à :

**Service sous garantie**  
Service au domicile

Danby Products Limited  
PO Box 1778, Guelph, Ontario, Canada N1H 6Z9  
Téléphone : (519) 837-0920 Télécopieur: (519) 837-0449

**1-800-263-2629**  
03/14

Danby Products Inc.  
PO Box 669, Findlay, Ohio, U.S.A. 45840  
Téléphone: (419) 425-8627 Télécopieur: (419) 425-8629



## PORTABLE AIR CONDITIONER

All repair parts are available for purchase or special order when you visit your nearest service depot. To request service and/or the location of the service depot nearest you, call the TOLL FREE number.

When requesting service or ordering parts, always provide the following information:

- Product Type
- Model Number
- Part Number
- Part Description

## CLIMATISEUR PORTATIF

Toutes les pièces de rechange ou commandes spéciales sont disponibles à votre centre de service régional autorisé. Pour obtenir le service et/ou la localité de votre centre de service régional, signalez le NUMÉRO D'APPEL SANS FRAIS.

Ayez les renseignements suivants à la portée de la main lors de la commande de pièce ou service:

- Type de produit
- Numéro de modèle
- Numéro de pièce
- Description de la pièce



### Model • Modèle

**DPA100E1BDB / DPA100E1WDB**  
**DPA120E1BDB / DPA120E1WDB**